



WWW.BARRYIND.COM

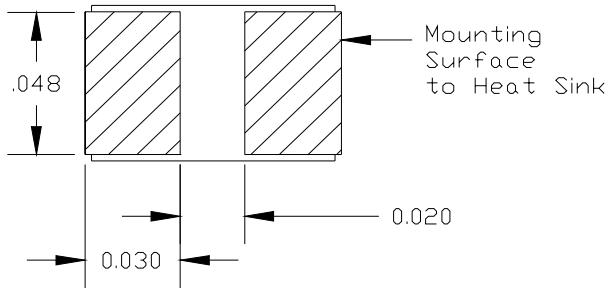
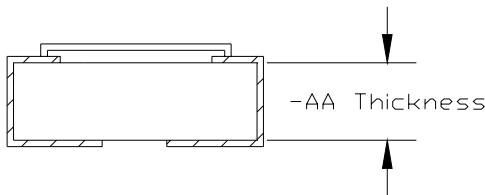
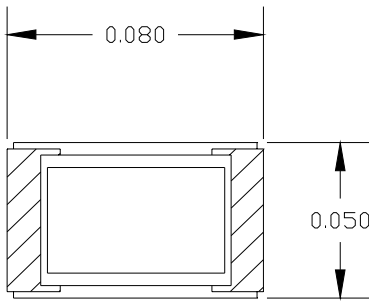
RE0805CT-XXXXJN-AA



SURFACE MOUNT RESISTOR

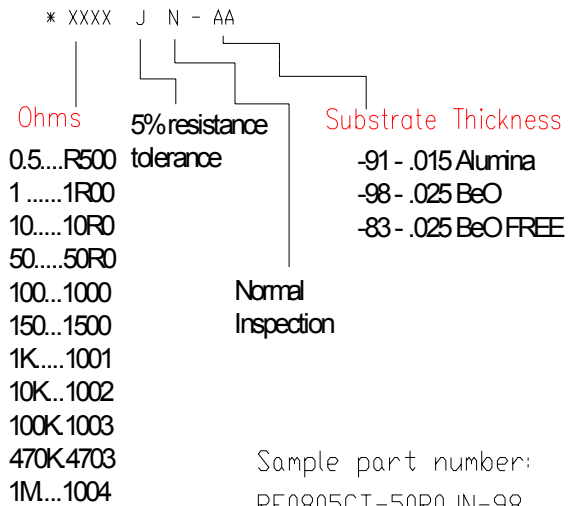
Features:

- ◆ BeO, BeO FREE, or Alumina
- ◆ Surface Mount
- ◆ Pre-Tinned



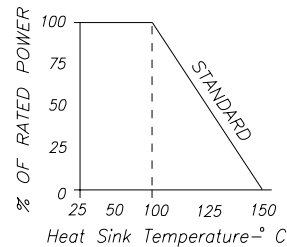
General Description:

The RE0805CT-XXXXJN-AA* is a 50 Ohm standard (.5 - 1Megohm available) surface mountable high power chip resistor ideal for small assemblies.



Sample part number:
RE0805CT-50R0JN-98

DERATING CURVE:



Parameter	Min.	Typ.	Max.	Units
Power Dissipation (Alumina)			1	WATTS
Power Dissipation (BeO)			5	WATTS
Power Dissipation (BeO FREE™)			1	WATTS
Heat Sink Temperature			100	°C

Barry Industries reserves the right to change part number and or process without notification.

Barry Industries, Inc., 60 Walton St., Attleboro, MA 02703 T: 508-226-3350 F: 508-226-3317 E-mail: sales@barryind.com

Barry Industries maintains an ISO 9001 Certified Quality Management System

Origination Date	Revision Date	Rev.
05/10/04	03/25/08	B