



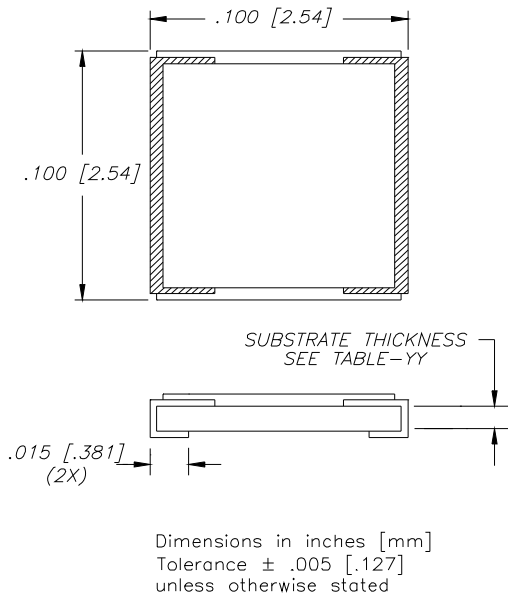
WWW.BARRYIND.COM

RP1010ZZ-XXXXWN-YY

CHIP RESISTOR

Features:

- ◆ Alumina or BeO Material
- ◆ Wrap around
- ◆ .5 to 1 Mohm



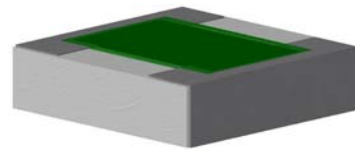
General Description:

The RP1010ZZ-XXXXWN-YY is a 50 ohm standard wrap around style chip resistor (.5 - 1Mohm available). Its compact size is ideal for miniature electronic components.

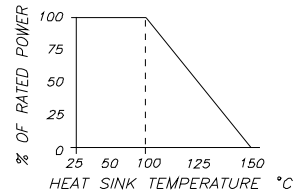
** See below for ordering options*

Temperature Coefficient:

± 250 PPM/ $^{\circ}$ C from -55° C to $+150^{\circ}$ C
(Standard)



DERATING CURVE:



*** R P 1010 ZZ - XXXXX W N - YY**

Termination Material and Finish

Resistor

Wrap Around

Size

Ohms

0.5	R500
1	1R00
10	10R0
50	50R0
100	1000
150	1500
1K	1001
10K	1002
100K	1003
470K	4703

Thickness and Material

-91 - .015" Alumina	1.0 Watt
-93 - .025" Alumina	0.5 Watt
-96 - .015" BeO	2.0 Watt

Tolerance

F - 1%

G - 2%

J - 5%

K - 10%

L - 20%

X = Special

(N) Normal Inspection

Barry Industries reserves the right to change part number and or process without notification.

Barry Industries, Inc., 60 Walton St., Attleboro, MA 02703 T: 508-226-3350 F: 508-226-3317 E-mail: sales@barryind.com

Barry Industries maintains an ISO 9001 Certified Quality Management System

Origination Date	Revision Date	Rev.
04/04/09	02/02/10	A