



WWW.BARRYIND.COM

# RYC2010CB-XXXXJN-99

**BeO**

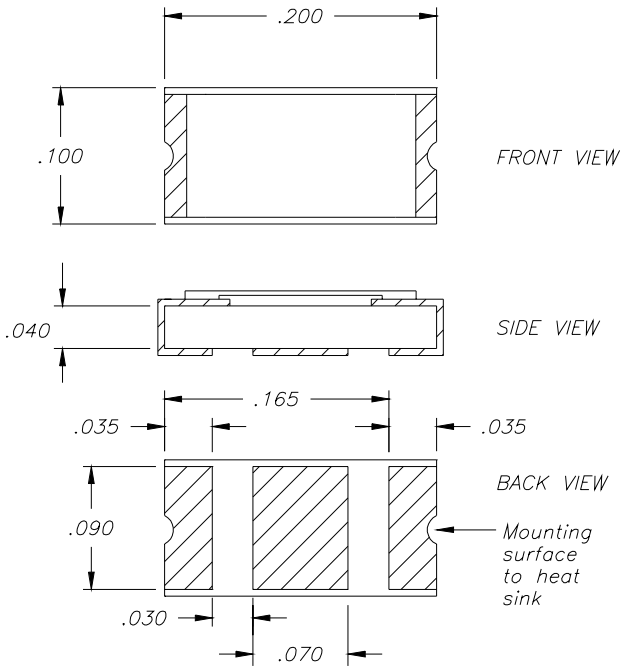
## SURFACE MOUNT RESISTOR

### Features:

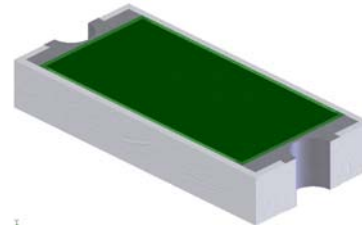
- ◆ BeO Material
- ◆ 20 Watt Input Power
- ◆ CB - Tin Lead over Nickel over Silver
- ◆ Surface Mountable

### General Description:

The RYC2010CB-XXXX\*JN-99 is a BeO surface mountable high power chip resistor ideal for small assemblies. It offers an input power of 20 watts, while maintaining a constant mounting surface temperature of 100°C.



Dimensions in inches  
 Tolerance  $\pm .010$  unless otherwise stated

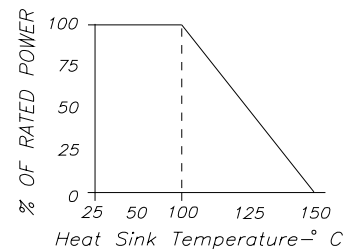


\* XXXX = Resistance Value in Ohms  
 .5 - 1Mohm available

- Ohms
- 0.5...R500
  - 1 .....1R00
  - 10.....10R0
  - 50.....50R0
  - 100...1000
  - 150...1500
  - 1K....1001
  - 10K...1002
  - 100K.1003
  - 470K.4703
  - 1M....1004

Sample part number:  
 RYC2010CB-50R0JN-99

### DERATING CURVE:



Parameter	Min.	Typ.	Max.	Units
Input Power			20	Watts
Resistance		+/- 5%		
Mounting Surface Temperature			100	°C

Barry Industries reserves the right to change part number and or process without notification.

Barry Industries, Inc., 60 Walton St., Attleboro, MA 02703 T: 508-226-3350 F: 508-226-3317 E-mail: sales@barryind.com

Barry is ISO 9001:2000 Certified by



Origination Date	Revision Date	Rev.
04/13/04	04/11/08	A