



WWW.BARRYIND.COM

RM5050CT-XXXXGN-99

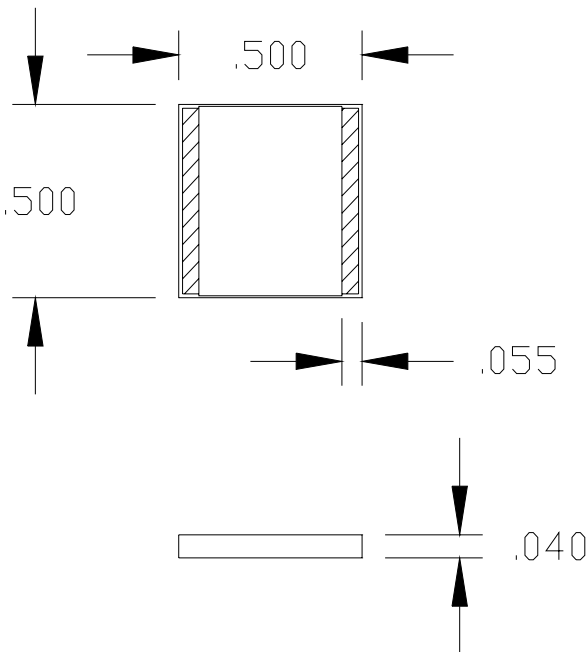
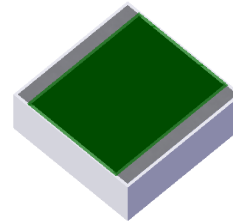


BeO

RESISTOR

Features:

- ◆ BeO Material
- ◆ 400 Watt Input power
- ◆ Surface Mountable
- ◆ CT - Matte Tin over Nickel over Silver



Dimensions in inches
 Tolerance $\pm .010$
 unless otherwise stated

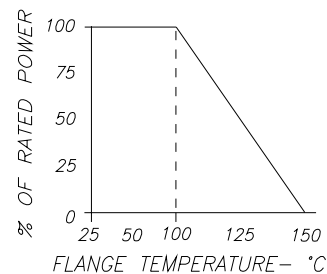
* XXXX = Resistance Value in Ohms

Ohms

- 0.5...R500
- 1.....1R00
- 10.....10R0
- 50.....50R0
- 100...1000
- 1K....1001
- 10K..1002
- 1M...1004

Sample part number:
 RM5050CT-50R0GN-99

DERATING CURVE:



Parameter	Min.	Typ.	Max.	Units
Input Power			400	Watts
Resistance		+/- 2%		Ohm
Flange Temperature			100	°C

* Barry Industries reserves the right to change part number and or process without notification

Barry Industries, Inc., 60 Walton St., Attleboro, MA 02703 T: 508-226-3350 F: 508-226-3317 E-mail: sales@barryind.com

Barry Industries maintains an ISO 9001 Certified Quality Management System

Origination Date	Revision Date	Rev.
09/17/08	09/17/08	-