



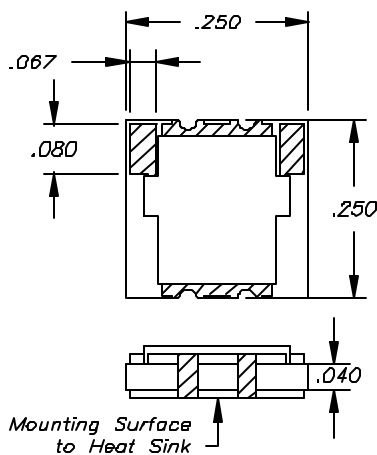
WWW.BARRYIND.COM

AVC2525CB-0300JN-99

BeO 3 dB ATTENUATOR

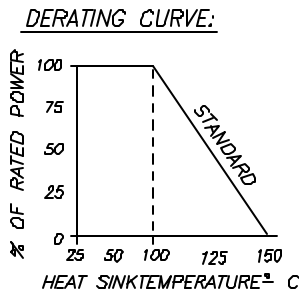
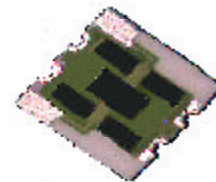
Features:

- ◆ BeO material
- ◆ DC to 3GHz
- ◆ 40 Watt Power Rating
- ◆ Input and Output pads offset from center

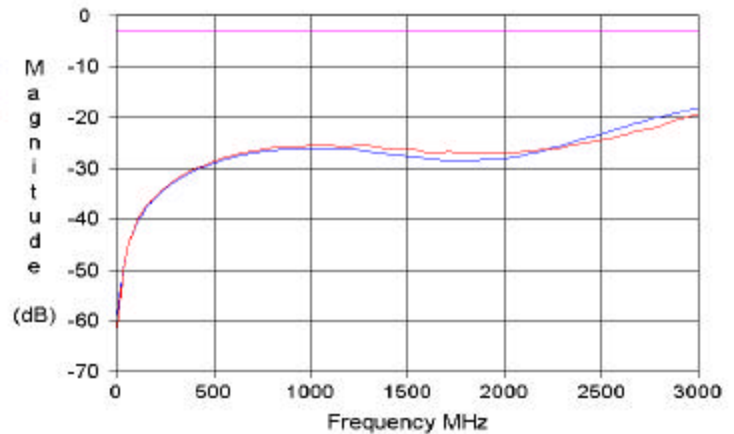


General Description:

The AVC2525CB-0300JN-99 is a BeO 3 dB single slope attenuator with a frequency range up to 3GHz. It has a power rating of 40 Watts while maintaining a heat sink temperature of 100°C and is solder mountable. This chip offers an input and output pad offset from center line of chip to allow for assembly on off center devices.



DB[S11] —○— M
 DB[S21] —○— a
 DB[S22] —○— g
 —○— n
 —○— t
 —○— u
 —○— d
 —○— e



Parameter	Min.	Typ.	Max	Units
Frequency Range	DC		3	GHz
Attenuation Flatness		±.5		dB
Input Return Loss	17			dB
Output Return Loss	17			dB
Power Dissipation			40	Watts
Heat Sink Temperature			100	°C

DATE	REV.
9/17/04	-