



WWW.BARRYIND.COM

A0400-40-3X



BeO

4 dB

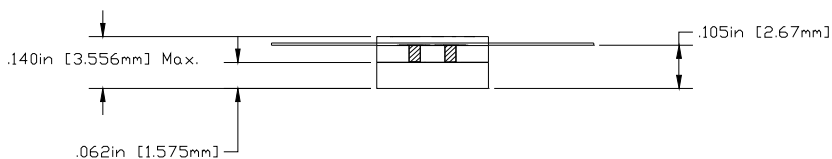
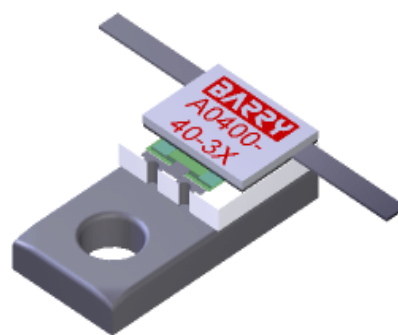
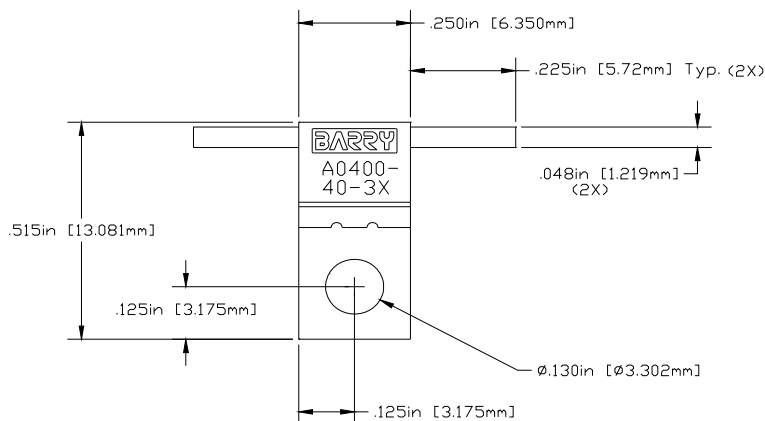
FLANGED ATTENUATOR

Features:

- ◆ BeO Material
- ◆ DC - 3 GHz Performance
- ◆ 40 Watt Input Power
- ◆ Flange Mount

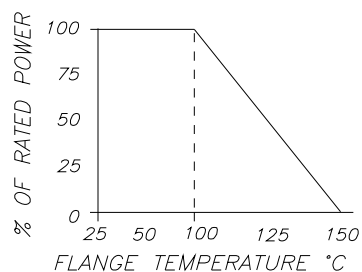
General Description:

The A0400-40-3X is a flanged 4 dB, BeO attenuator. It has an input power of 40 watts, while maintaining a constant flange temperature of 100°C. It offers a frequency range from DC to 3 GHz.



Dimensions in inches [mm]
Tolerance \pm .010 [.254]
unless otherwise stated
UNIT CAN BE MOUNTED IN EITHER DIRECTION

DERATING CURVE:



Parameter	Min.	Typ.	Max.	Units
Frequency Range	DC		3	GHz
Input Return Loss	17			dB
Output Return Loss	17			dB
Power Dissipation			40	Watts
Flange Temperature			100	°C
Attenuation Flatness		\pm 0.5		dB

Barry Industries reserves the right to change part number and or process without notification.

Barry Industries, Inc., 60 Walton St., Attleboro, MA 02703 T: 508-226-3350 F: 508-226-3317 E-mail: sales@barryind.com
Barry Industries maintains an ISO 9001 Certified Quality Management System

Origination Date	Revision Date	Rev.
04/17/06	10/22/08	A