



WWW.BARRYIND.COM

# RM2512JA-2R00JN-96

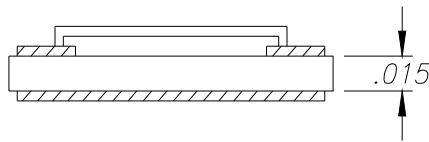
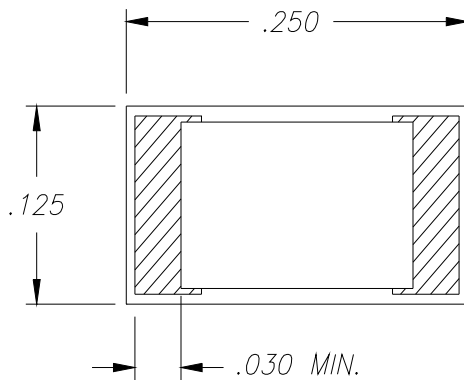


## BeO

## CHIP RESISTOR

### Features:

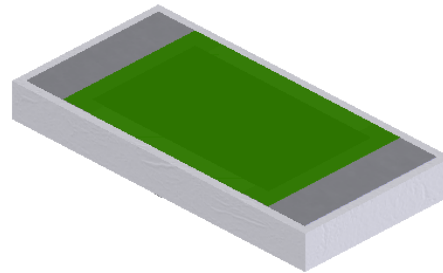
- ◆ BeO Material
- ◆ Back Metallization
- ◆ JA = Gold over Platinum Gold



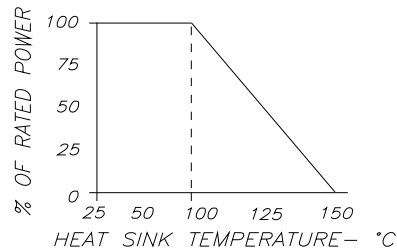
Dimensions in inches  
Tolerance  $\pm .010$   
unless otherwise stated

### General Description:

The RM2512JA-XXXXJN-96 is a 2 ohm standard back metallization style chip resistor. Its compact size is ideal for miniature electronic components. It offers a power rating of 40 watts while maintaining a constant heat sink temperature of 100°C. It is mountable with epoxy and wire bondable.



DERATING CURVE:



Parameter	Min.	Typ.	Max.	Units
Resistance	1.9	2	2.1	Ohms
Input Power			40	Watts
Mounting Surface Temperature			100	°C

Barry Industries reserves the right to change part number and or process without notification.

Barry Industries, Inc., 60 Walton St., Attleboro, MA 02703 T: 508-226-3350 F: 508-226-3317 E-mail: sales@barryind.com  
Barry Industries maintains an ISO 9001 Certified Quality Management System

Origination Date	Revision Date	Revision
09/23/08	09/23/08	-