



WWW.BARRYIND.COM

AA3000-20-3X



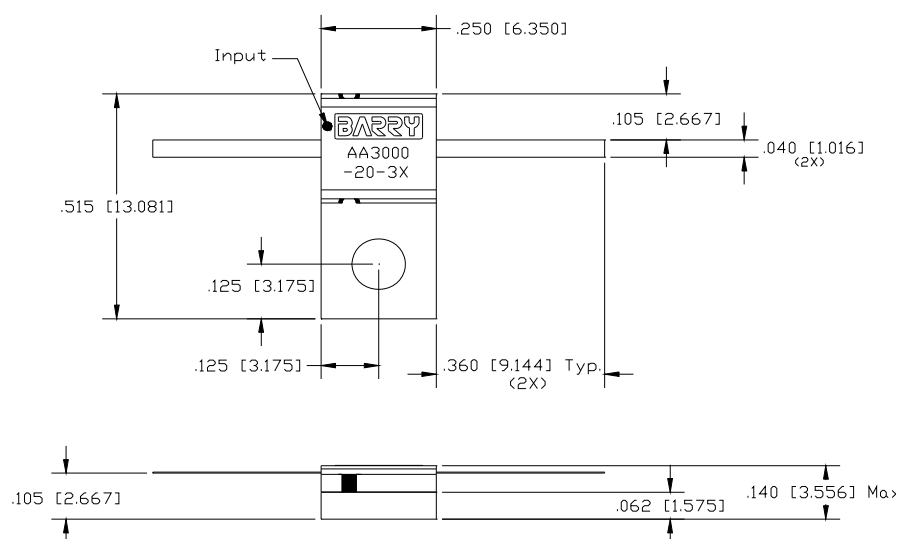
Aluminum Nitride 30dB FLANGED ATTENUATOR

Features:

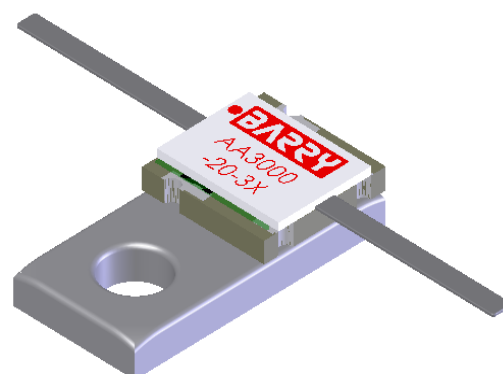
- ◆ Aluminum Nitride Material
- ◆ DC - 4 GHz Performance
- ◆ 20 Watt Input Power
- ◆ Flange Mount

General Description:

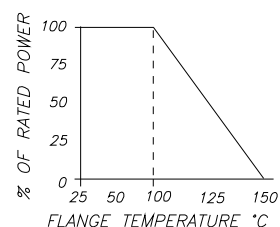
The AA3000-20-3X is a flanged 30 dB, Aluminum Nitride attenuator. It has an input power of 20 watts, while maintaining a constant flange temperature of 100°C. It offers a frequency range from DC to 4 GHz.



Dimensions in inches [mm]
Tolerance $\pm .010$ [.254]
unless otherwise stated



DERATING CURVE:



| Parameter | Min. | Typ. | Max. | Units |
|------------------------------------|------|------|------|-------|
| Frequency Range | DC | | 4 | GHz |
| Input Return Loss (DC-3 GHz) | 19 | | | dB |
| (3 - 4 GHz) | 17 | | | dB |
| Output Return Loss (DC-3 GHz) | 19 | | | dB |
| (3 - 4 GHz) | 17 | | | dB |
| Input Power | | | 20 | Watts |
| Flange Temperature | | | 100 | °C |
| Attenuation (DC - 3 GHz, +/- 1 dB) | 29 | 30 | 31 | dB |
| Attenuation (3 - 4 GHz, +/- 2 dB) | 28 | 30 | 32 | dB |

Barry Industries reserves the right to change part number and or process without notification.

Barry Industries, Inc., 60 Walton St., Attleboro, MA 02703 T: 508-226-3350 F: 508-226-3317 E-mail: sales@barryind.com

Barry Industries maintains an ISO 9001 Certified Quality Management System

| Origination Date | Revision Date | Rev. |
|------------------|---------------|------|
| 02/28/07 | 01/29/09 | D |