



WWW.BARRYIND.COM

RM0402ZZ-XXXXWN-YY

Alumina or BeO

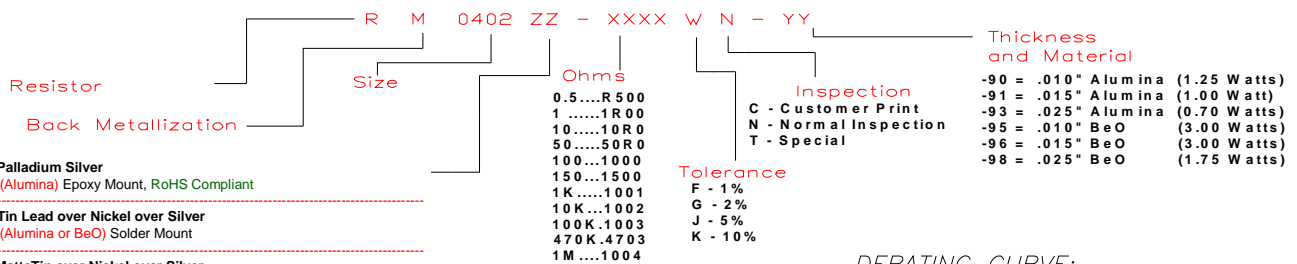
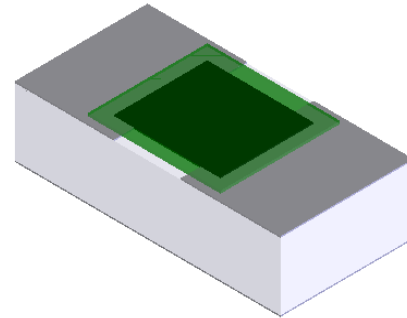
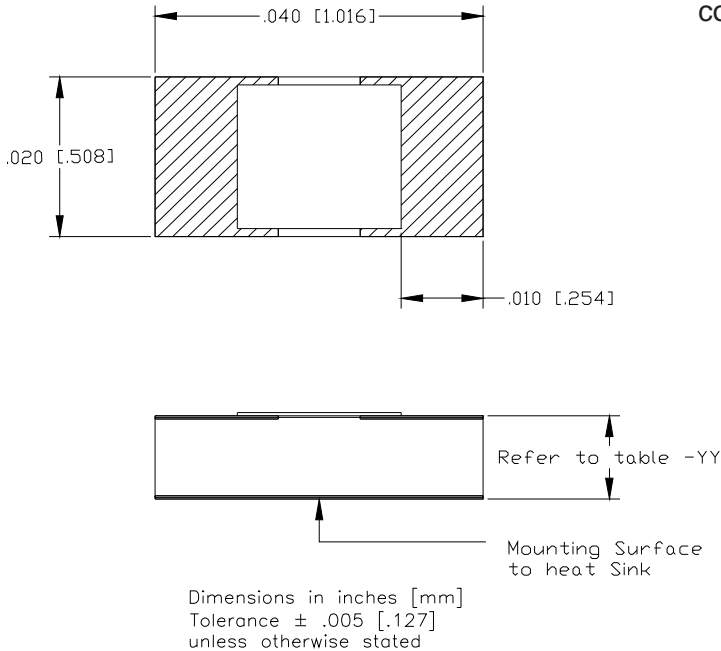
CHIP RESISTOR

Features:

- ◆ Alumina or BeO Material
- ◆ Back Metallization
- ◆ .1 to 1 Gohm

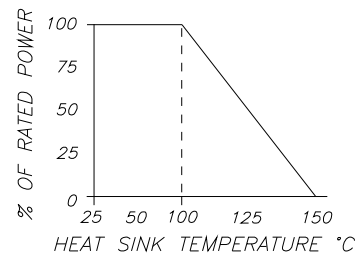
General Description:

The RM0402ZZ-XXXXWN-YY is a standard back metallization style chip resistor (.1 - 1 Gohm available). It offers a .70 - 3.00 watt input power, while maintaining a constant 100°C mounting surface temperature. Its compact size is ideal for miniature electronic components. ** See below for ordering options*



- BA - Palladium Silver**
(Alumina) Epoxy Mount, RoHS Compliant
- CB - Tin Lead over Nickel over Silver**
(Alumina or BeO) Solder Mount
- CT - MatteTin over Nickel over Silver**
(Alumina or BeO) Solder Mount, RoHS Compliant
- EA - Gold I/O with Palladium Silver Ground**
(Alumina) Solder or Epoxy Mount, Wirebondable RoHS Compliant
- FA - Gold I/O with Platinum Gold Ground**
(Alumina) Solder or Epoxy Mount, Wirebondable RoHS Compliant
- GA - Gold**
(Alumina) Epoxy Mount, Wirebondable RoHS Compliant
- HA - Gold over Platinum Gold I/O Pads with Platinum Gold Ground**
(BeO) Solder or Epoxy Mount, Wirebondable RoHS Compliant
- JA - Gold over Platinum Gold**
(BeO) Epoxy Mount, Wirebondable RoHS Compliant

DERATING CURVE:



Barry Industries reserves the right to change part number and or process without notification.

Barry Industries, Inc., 60 Walton St., Attleboro, MA 02703 T: 508-226-3350 F: 508-226-3317 E-mail: sales@barryind.com

Barry Industries maintains an ISO 9001 Certified Quality Management System

Origination Date	Revision Date	Rev.
10/27/08	04/27/09	B