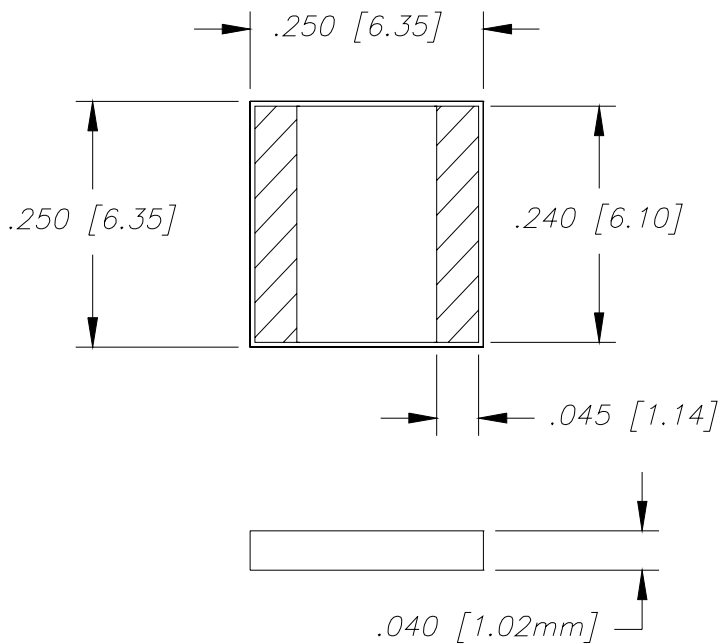
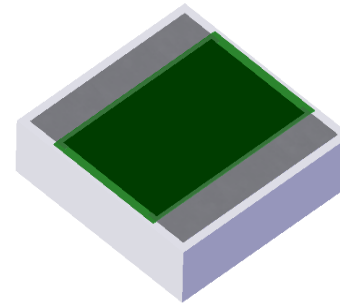


BeO Surface Mountable Resistor

Features:

- ◆ BeO Material
- ◆ 50 Watt Input power
- ◆ Surface Mountable
- ◆ CT - Matte Tin over Nickel over Silver



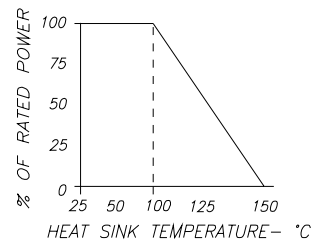
Dimensions in inches
Tolerance ± .010
unless otherwise stated

* XXXX = Resistance Value in Ohms

- Ohms
- 0.5...R500
 - 1.....1R00
 - 10....10R0
 - 50....50R0
 - 100...1000
 - 1K....1001
 - 10K..1002
 - 1M...1004

Sample part number:
RM2525CT-50R0GN-99

DERATING CURVE:



Parameter	Min.	Typ.	Max.	Units
Input Power			50	Watts
Resistance		+/- 2%		Ohms
Mounting Surface Temperature			100	°C

* Barry Industries reserves the right to change part number and or process without notification

Barry Industries, Inc., 60 Walton St., Attleboro, MA 02703 T: 508-226-3350 F: 508-226-3317 E-mail: sales@barryind.com

Barry Industries maintains an ISO 9001 Certified Quality Management System

Origination Date	Revision Date	Rev.
09/17/08	09/17/08	-