



WWW.BARRYIND.COM

TVC2010CB-XXXX*JN-99-01

BeO CHIP TERMINATION

Features:

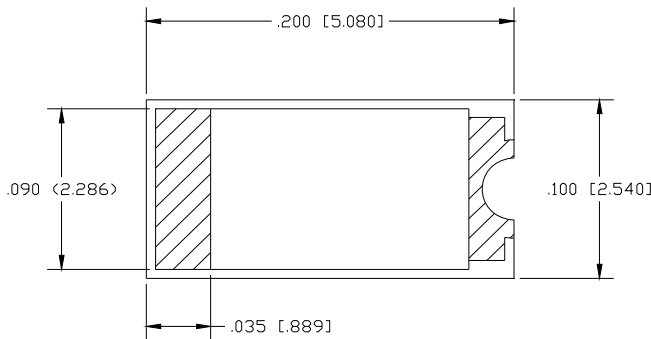
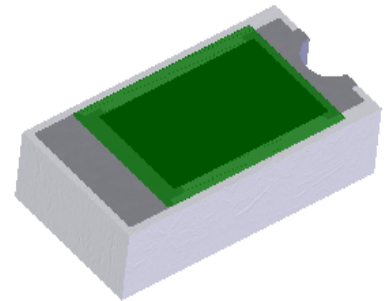
- ◆ BeO Material
- ◆ DC - 2 GHz Performance
- ◆ 60 Watt Input Power
- ◆ CB-Tin Lead over Nickel over Silver
- ◆ Solder Mountable

General Description:

The TVC2010CB-XXXX*JN-99-01 is a solder mountable BeO chip termination. It has an input power rating of 60 watts, while maintaining a constant mounting surface temperature of 100°C. It offers a frequency range from DC to 2 GHz.

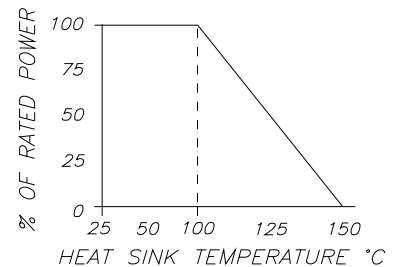
*XXXX = Resistance Value in Ohms

- 0.5 ---- R500
- 1 ----- 1R00
- 10 ---- 10R0
- 50 ---- 50R0
- 100 --- 1000
- 150 --- 1500
- 1K ---- 1001
- 10K --- 1002
- 100K - 1003
- 470K - 4703
- 1M ---- 1004



Dimensions in inches [mm]
 Tolerance $\pm .005$ [.127]
 unless otherwise stated

DERATING CURVE:



Parameter	Min.	Typ.	Max.	Units
Frequency Range	DC		2	GHZ
Input Return Loss	20			dB
Resistance		+/- 5%		
Input Power			60	Watts
Mounting Surface Temperature			100	°C

Barry Industries reserves the right to change part number and or process without notification.

Barry Industries, Inc., 60 Walton St., Attleboro, MA 02703 T: 508-226-3350 F: 508-226-3317 E-mail: sales@barryyind.com

Barry Industries maintains an ISO 9001 Certified Quality Management System

Origination Date	Revision Date	Rev.
10/29/03	02/24/09	D