

ALUMINUM NITRIDE

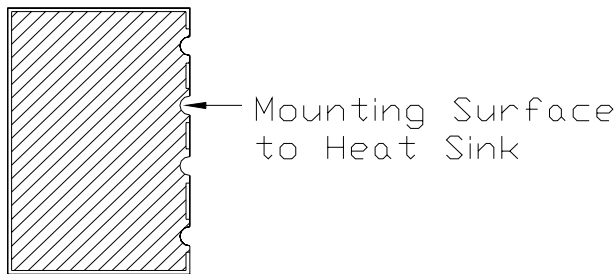
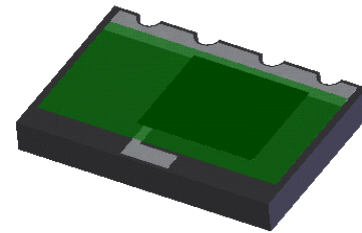
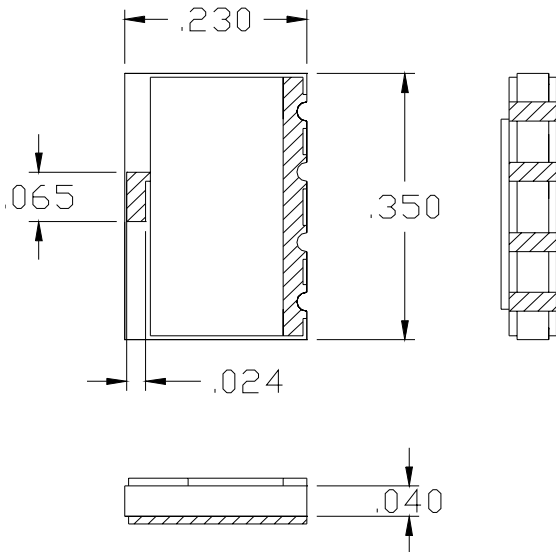
TERMINATION

Features:

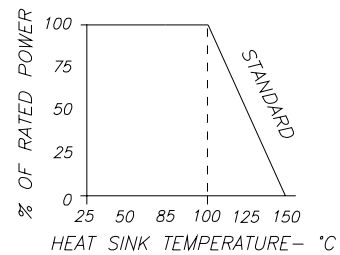
- ◆ ALN material
- ◆ DC- 5 GHz performance
- ◆ 100 Watt power handling
- ◆ Solder mount

General Description:

The TVC2335CT-50R0GN-2T-15 is a solder mountable termination capable of dissipating 100 Watts while maintaining a constant heat sink temperature of 100°C and a frequency range from DC-5 GHz.



DERATING CURVE:



Parameter	Min.	Typ.	Max.	Units
Frequency Range	DC		5	GHz
Power Dissipation			100	Watts
Resistance	49	50	51	Ohms
Input Return Loss (DC - 4 GHz) (4 - 5 GHz)	30 20			dB dB
Heat Sink Temperature			100	°C

* Barry Industries reserves the right to change part number and or process without notification

Barry Industries, Inc., 60 Walton St., Attleboro, MA 02703 T: 508-226-3350 F: 508-226-3317 E-mail: sales@barryind.com

Barry Industries maintains an ISO 9001 Certified Quality Management System

Origination Date	Revision Date	Rev.
02/23/07	02/23/07	-