



WWW.BARRYIND.COM

RM0505ZZ-XXXXWN-AA

BeO or Alumina

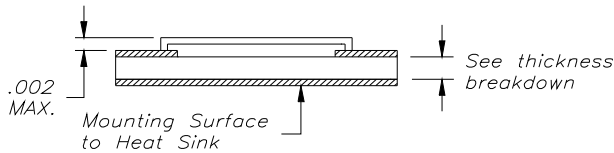
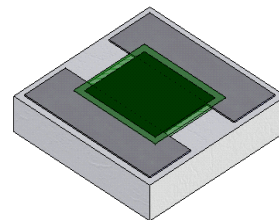
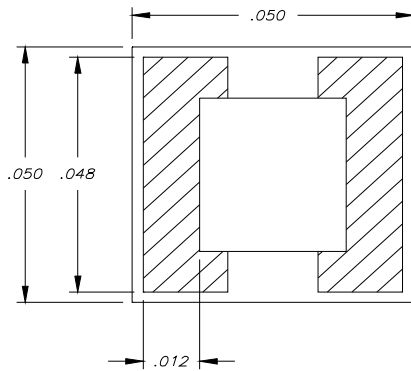
CHIP RESISTOR

Features:

- ◆ BeO or Alumina material
- ◆ Back metallization

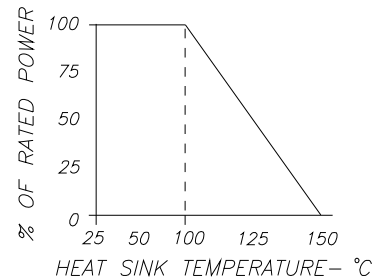
General Description:

The RM0505ZZ-XXXXWN-AA series is a standard chip resistor with back metallization. It offers a small package design available in BeO or Alumina. See below for ordering options.



Dimensions in inches
Tolerance $\pm .005$ unless otherwise stated

DERATING CURVE:



RM0505ZZ-XXXXWN-AA

- Resistor**: R M 0505 ZZ - XXXX W N - AA
- Size**: R M 0505 ZZ
- Ohms**: XXXX
- Back Metallized**: W N - AA
- Termination Material and Finish**: CT - Matte Tin over Nickel over Silver
CB - Tin Lead over Nickel over Silver
AS - Tin Lead over Palladium Gold
BA - Palladium Silver (Alumina only) (Epoxy mountable)
GA - Gold (Alumina only) (epoxy mountable and wire bondable)
HA - Gold over Platinum Gold I/O with platinum Gold ground (BeO only) (Solder to ground or epoxy mountable and wire bondable)
JA - Gold over Platinum Gold (BeO only) (Epoxy mountable and wire bondable)
DS - Sn96 over Palladium Silver
- Thickness and Material**:
 - 90 - .010" Alumina .5 Watt
 - 91 - .015" Alumina .5 Watt
 - 95 - .010" BeO 3.0 Watt
 - 96 - .015" BeO 3.0 Watt
 - 98 - .025" BeO 3.0 Watt
- (N)ormal Inspection**: (N)ormal Inspection
- Tolerance**:
 - F - 1%
 - G - 2%
 - J - 5%
 - K - 10%
 - L - 20%
 - X - Special

* Barry Industries reserves the right to change part number and or process without notification

Barry Industries, Inc., 60 Walton St., Attleboro, MA 02703 T: 508-226-3350 F: 508-226-3317 E-mail: sales@barryind.com

Barry Industries maintains an ISO Certified Quality Management System

Origination Date	Revision Date	Rev.
10/23/07	07/29/13	A