



WWW.BARRYIND.COM

RS0202ZZ-XXXXWN-AA

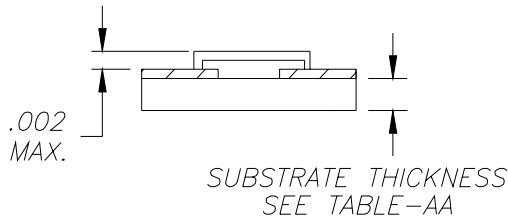
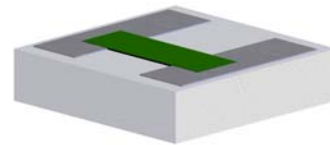
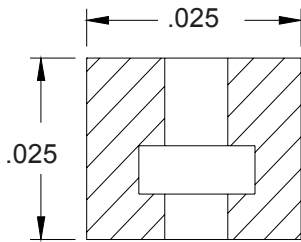
FLIP CHIP RESISTOR

Features:

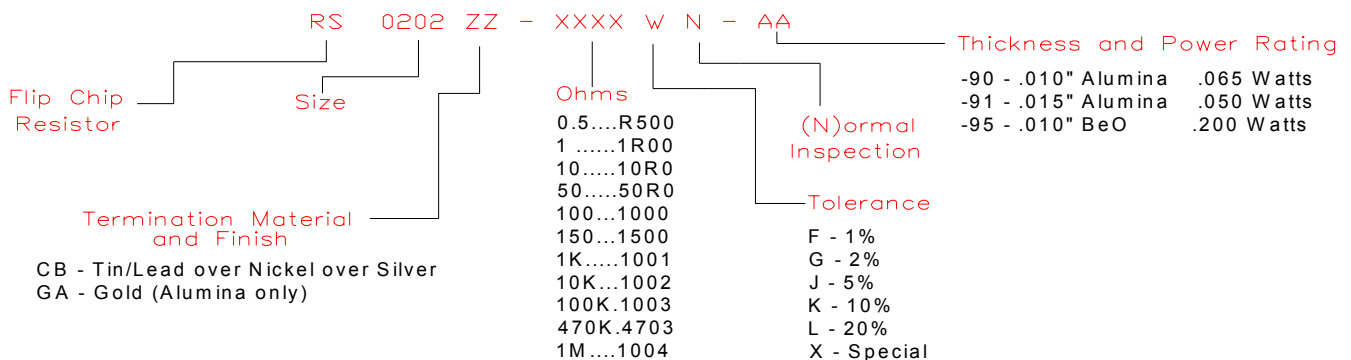
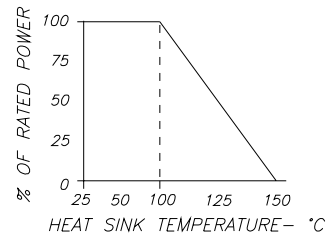
- ◆ Beo or Alumina material
- ◆ Flip chip resistor

General Description:

The RS0202ZZ-XXXXWN-AA series is a flip chip resistor. It offers a small package design available in BeO or Alumina. See below for ordering options.



DERATING CURVE:



* Barry Industries reserves the right to change part number and or process without notification

Barry Industries, Inc., 60 Walton St., Attleboro, MA 02703 T: 508-226-3350 F: 508-226-3317 E-mail: sales@barryind.com

Barry Industries maintains an ISO 9001 Certified Quality Management System

Origination Date	Revision Date	Rev.
8/6/07	8/6/07	-