



WWW.BARRYIND.COM

RM2335CT-1000JN-2T



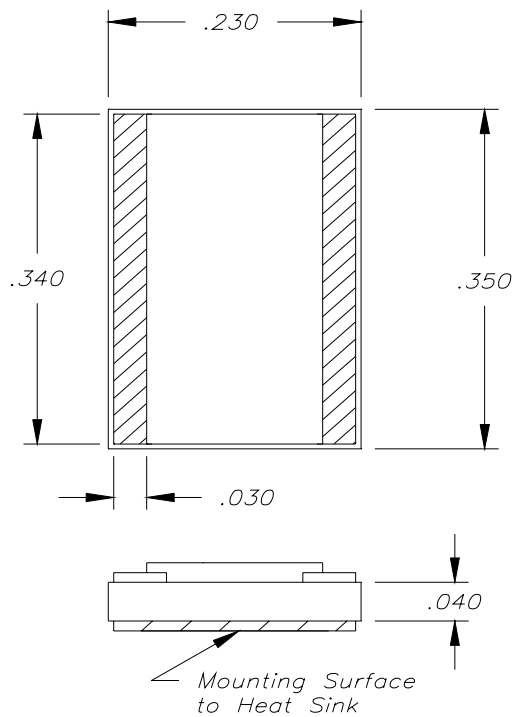
Aluminum Nitride 100 Ohm Surface Mount Resistor

Features:

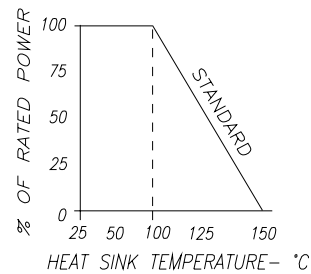
- ◆ AlN Material
- ◆ 150 Watt power handling
- ◆ Surface Mount

General Description:

The RM2335CT-1000JN-2T is a 100 Ohm surface mount chip resistor. It offers a power rating of 150 Watts max while maintaining a heat sink temperature of 100°C.



DERATING CURVE:



Parameter	Min.	Typ.	Max.	Units
Power Dissipation			150	Watts
Mounting Surface Temperature			100	°C

* Barry Industries reserves the right to change part number and or process without notification

Barry Industries, Inc., 60 Walton St., Attleboro, MA 02703 T: 508-226-3350 F: 508-226-3317 E-mail: sales@barryind.com

Barry Industries maintains an ISO 9001 Certified Quality Management System

Origination Date	Revision Date	Rev.
6/23/06	6/23/06	-