



WWW.BARRYIND.COM

R50R0-150-10X



BeO

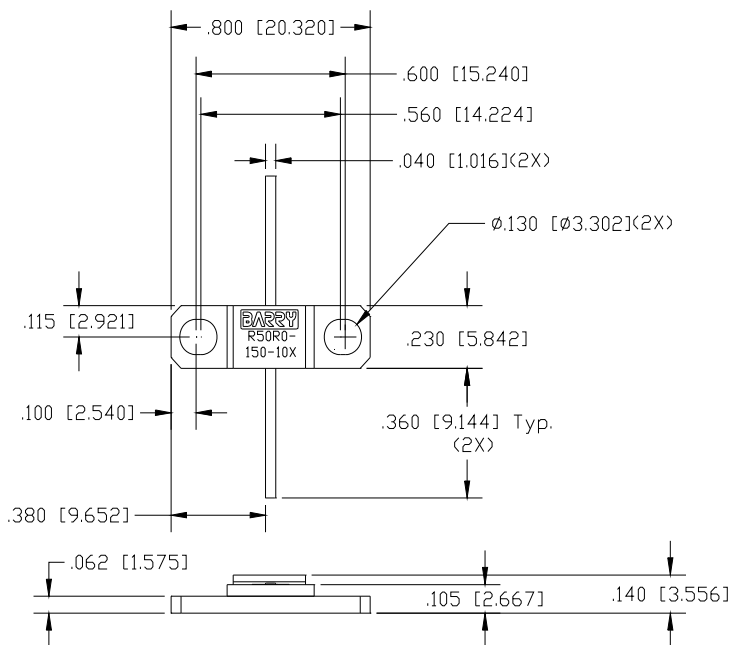
FLANGED RESISTOR

Features:

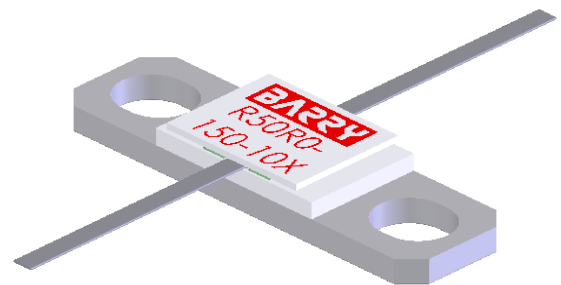
- ◆ BeO Material
- ◆ 150 Watt Input Power
- ◆ Flange Mount

General Description:

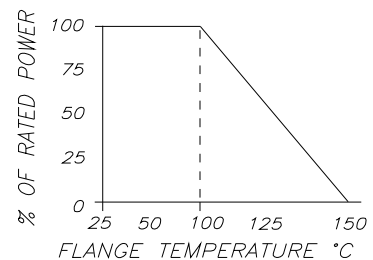
The R50R0-150-10X is a flanged, 50 ohm, BeO resistor. It offers an input power of 150 watts, while maintaining a constant flange temperature of 100°C.



Dimensions in inches [mm]
Tolerance \pm .010 [.254]
unless otherwise stated



DERATING CURVE:



Parameter	Min.	Typ.	Max.	Units
Power			150	Watts
Resistance	47.5	50	52.5	Ohm
Capacitance (at 1 MHz)		1.73		pF
Flange Temperature			100	°C

Barry Industries reserves the right to change part number and or process without notification.

Barry Industries, Inc., 60 Walton St., Attleboro, MA 02703 T: 508-226-3350 F: 508-226-3317 E-mail: sales@barryind.com

Barry Industries maintains an ISO 9001 Certified Quality Management System

Origination Date	Revision Date	Rev.
10/23/08	10/23/08	-