

Alumina CHIP RESISTOR

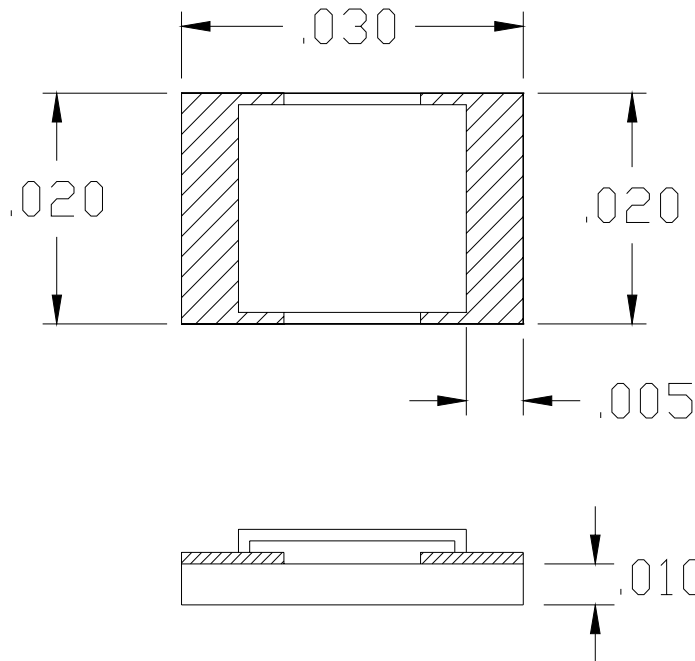
Features:

- ◆ Alumina
- ◆ .06 Watts Power Rating
- ◆ Flip Chip
- ◆ .5 to 1 mohm

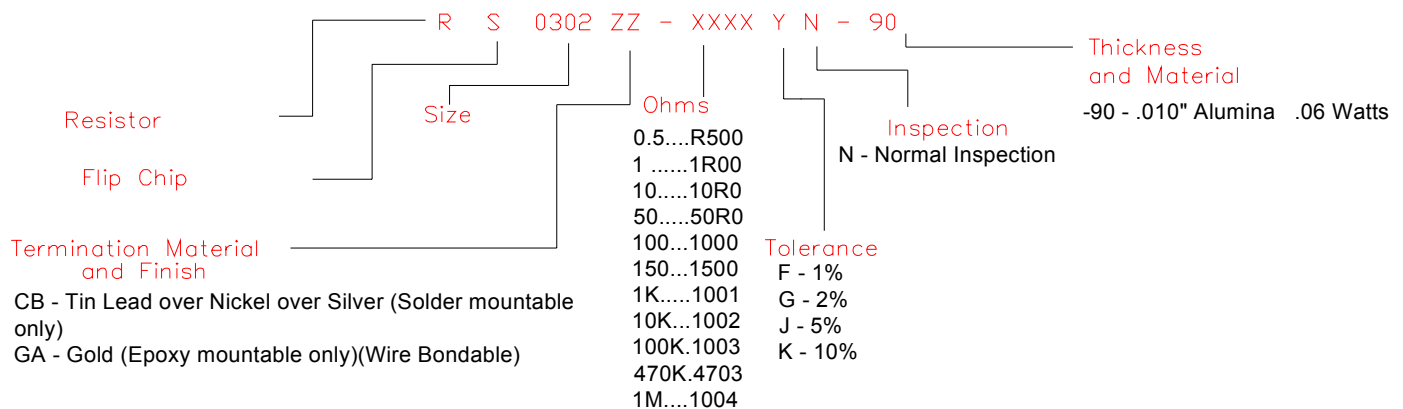
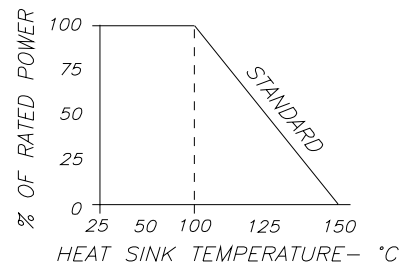
General Description:

The RS0302ZZ-XXXXW*N-90 is a 50 Ohm standard flip chip style chip resistor (.1 - 150 Gohm available). It offers a .06 Watt power rating while maintaining a 100°C heat sink temperature. Its compact size is ideal for miniature electronic components.

See below for ordering options



DERATING CURVE:



*** Barry Industries reserves the right to change part number and or process without notification**