



WWW.BARRYIND.COM

A0200-40-1X



BeO

2 dB

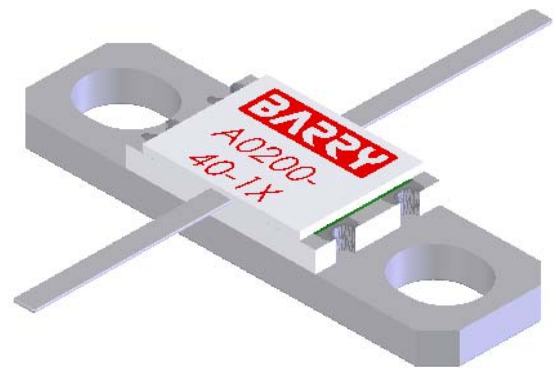
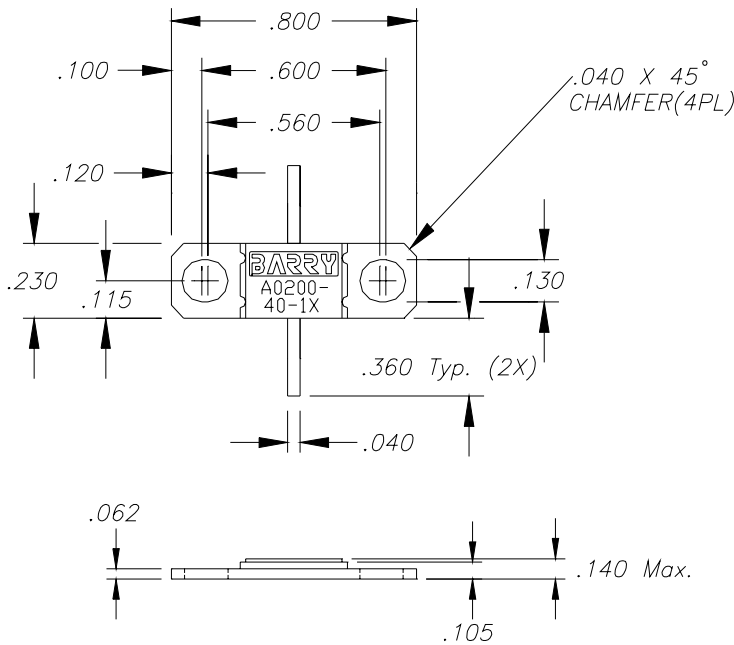
FLANGED ATTENUATOR

Features:

- ◆ BeO Material
- ◆ DC - 4 GHz Performance
- ◆ 40 Watt Input Power
- ◆ Flange Mount

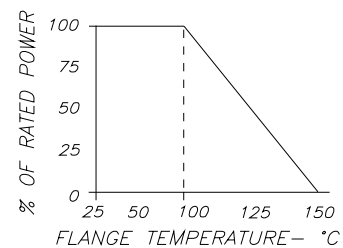
General Description:

The A0200-40-1X is a flanged 2 dB, BeO attenuator. It has an input power of 40 watts, while maintaining a constant flange temperature of 100°C. It offers a frequency range from DC to 4 GHz.



Dimensions in inches
Tolerance $\pm .010$
unless otherwise stated

DERATING CURVE:



Parameter	Min.	Typ.	Max.	Units
Frequency Range	DC		4	GHz
Input Power			40	Watts
Input Return Loss	20			dB
Output Return Loss	20			dB
Flange Temperature			100	°C
Attenuation	1	2	3	dB

Barry Industries reserves the right to change part number and or process without notification.

Barry Industries, Inc., 60 Walton St., Attleboro, MA 02703 T: 508-226-3350 F: 508-226-3317 E-mail: sales@barryind.com
Barry Industries maintains an ISO 9001 Certified Quality Management System

Origination Date	Revision Date	Rev.
07/16/08	07/16/08	-