



WWW.BARRYIND.COM

TV1005HA-50R0JN-96

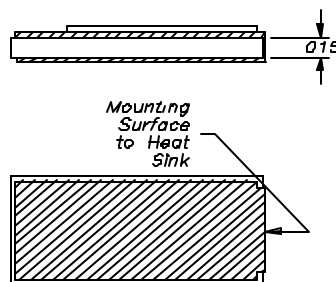
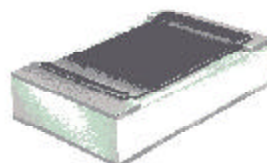
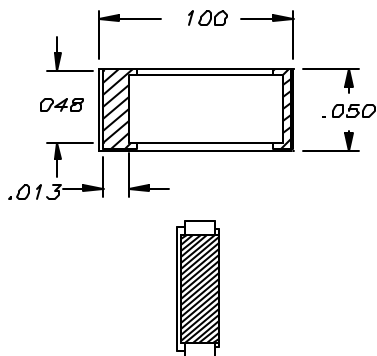
BeO TERMINATION

Features:

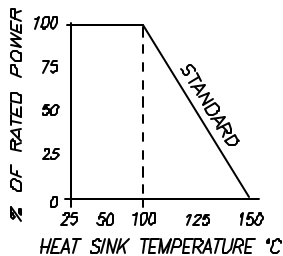
- ◆ BeO material
- ◆ DC-10 GHz performance
- ◆ 20 Watt power handling
- ◆ Solder mountable
- ◆ HA - Gold over Platinum Gold pad with Platinum Gold Ground

General Description:

The TV1005HA-50R0JN-96 is a solder or epoxy mountable BeO termination with a power handling of 20 Watts while maintaining a heat sink temperature of 100°C and a frequency range from DC - 10 GHz. It offers a wire bondable input pad.



DERATING CURVE:



RF DATA NOT AVAILABLE AT THIS TIME

Parameter	Min.	Typ.	Max.	Units
Frequency Range	DC		10	GHz
Power Dissipation			20	Watts
Heat Sink Temperature			100	°C

Barry Industries reserves the right to change part number and or process without notification.

Barry Industries, Inc., 60 Walton St., Attleboro, MA 02703 T: 508-226-3350 F: 508-226-3317 E-mail: sales@barryind.com

Barry Industries maintains an ISO 9001 Certified Quality Management System

Date	Rev.
7/10/03	-