



TV1005CB-50R0JN-95

WWW.BARRYIND.COM

BeO

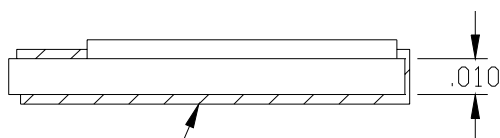
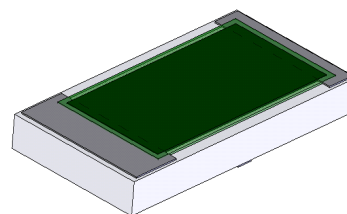
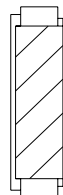
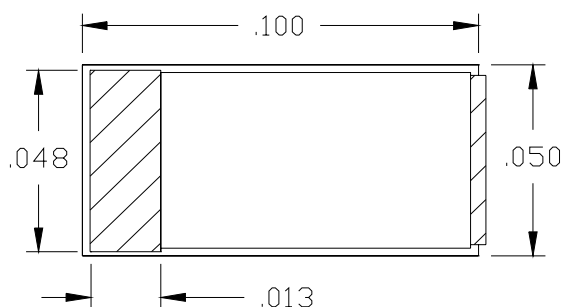
TERMINATION

Features:

- ◆ BeO material
- ◆ DC-18 GHz performance
- ◆ 20 Watt input power
- ◆ Solder mountable
- ◆ CB - Tin Lead over Nickel over Silver

General Description:

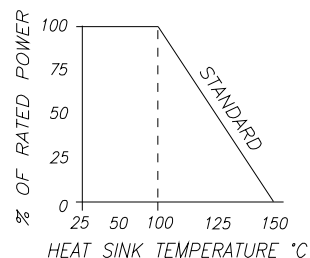
The TV1005CB-50R0JN-95 is a 50 Ohm solder mountable BeO termination with an input power of 20 Watts while maintaining a heat sink temperature of 100°C and a frequency range from DC - 18 GHz.



Mounting Surface
to Heat Sink

Dimensions in inches
Tolerance $\pm .005$

DERATING CURVE:



Parameter	Min.	Typ.	Max.	Units
Frequency Range	DC		18	GHz
Input Power			20	Watts
Heat Sink Temperature			100	°C

* Barry Industries reserves the right to change part number and or process without notification

Barry Industries, Inc., 60 Walton St., Attleboro, MA 02703 T: 508-226-3350 F: 508-226-3317 E-mail: sales@barryind.com

Barry Industries maintains an ISO 9001 Certified Quality Management System

Origination Date	Revision Date	Rev.
01/15/07	01/15/07	-