



WWW.BARRYIND.COM

# A0600-40-3X



BeO

6 dB

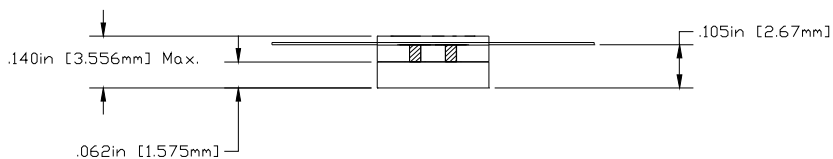
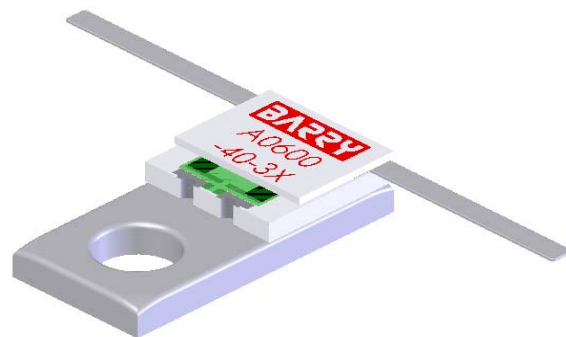
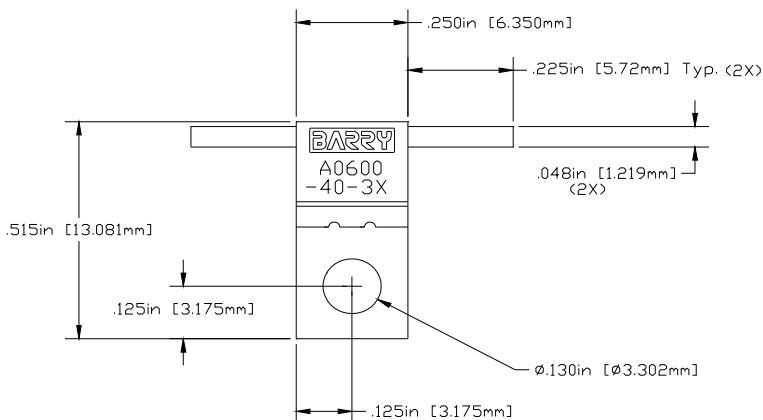
FLANGED ATTENUATOR

### Features:

- ◆ BeO Material
- ◆ DC - 4 GHz Performance
- ◆ 40 Watt Input Power
- ◆ Flange Mount

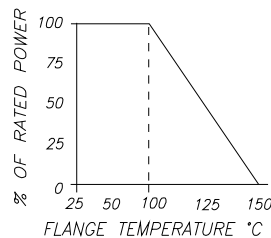
### General Description:

The A0600-40-3X is a flanged 6 dB, BeO attenuator. It has an input power of 40 watts, while maintaining a constant flange temperature of 100°C. It offers a frequency range from DC to 4 GHz.



Dimensions in inches [mm]  
Tolerance  $\pm .010$  [.254]  
unless otherwise stated  
UNIT CAN BE MOUNTED IN EITHER DIRECTION

DERATING CURVE:



| Parameter                | Min. | Typ. | Max. | Units |
|--------------------------|------|------|------|-------|
| Frequency Range          | DC   |      | 4    | GHz   |
| Input Return Loss        | 17   |      |      | dB    |
| Output Return Loss       | 17   |      |      | dB    |
| Input Power              |      |      | 40   | Watts |
| Flange Temperature       |      |      | 100  | °C    |
| Attenuation DC - 3.5 GHz | 5.5  | 6    | 6.50 | dB    |
| 3.5 - 4.0 GHz            | 5.5  | 6    | 6.75 |       |

Barry Industries reserves the right to change part number and or process without notification.

Barry Industries, Inc., 60 Walton St., Attleboro, MA 02703 T: 508-226-3350 F: 508-226-3317 E-mail: sales@barryind.com

Barry Industries maintains an ISO 9001 Certified Quality Management System

| Origination Date | Revision Date | Rev. |
|------------------|---------------|------|
| 07/24/08         | 10/22/08      | 8    |