



WWW.BARRYIND.COM

AA0600-100-3X



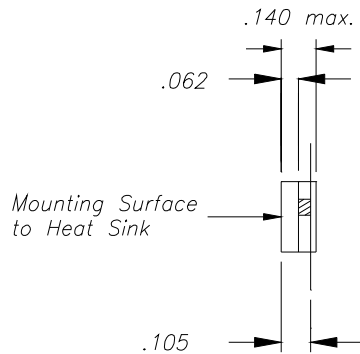
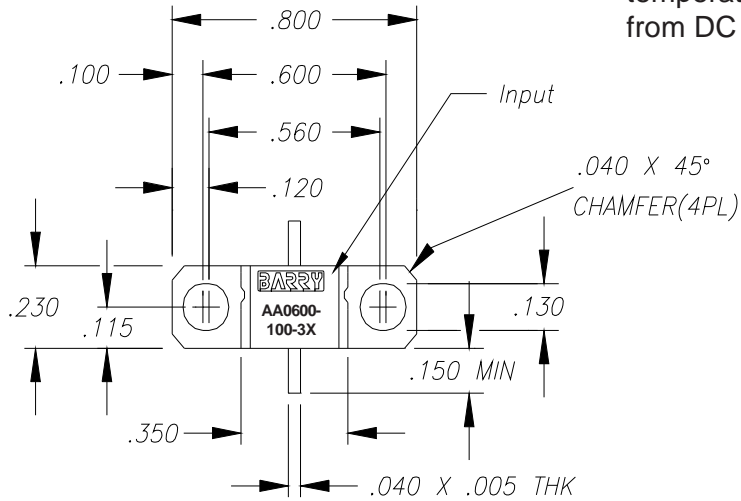
Aluminum Nitride 6 dB FLANGED ATTENUATOR

Features:

- ◆ Aluminum Nitride Material
- ◆ DC - 3 GHz Performance
- ◆ 100 Watt Input Power
- ◆ Flange Mount

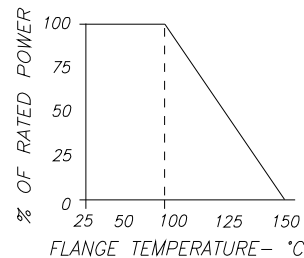
General Description:

The AA0600-100-3X is a flanged, 6 dB Aluminum Nitride attenuator. It has an input power of 100 watts, while maintaining a constant flange temperature of 100°C. It offers a frequency range from DC to 3 GHz.



Dimensions in inches
Tolerance $\pm .010$
unless otherwise stated

DERATING CURVE:



Parameter	Min.	Typ.	Max.	Units
Frequency Range	DC		3	GHz
Attenuation	5	6	7	dB
Input Return Loss	19			dB
Output Return Loss	19			dB
Input Power			100	Watts
Reverse Power (Output)			2	Watts
Flange Temperature			100 150 (0% Power)	°C

Barry Industries reserves the right to change part number and or process without notification.

Barry Industries, Inc., 60 Walton St., Attleboro, MA 02703 T: 508-226-3350 F: 508-226-3317 E-mail: sales@barryind.com

Barry Industries maintains an ISO 9001 Certified Quality Management System

Origination Date	Revision Date	Rev.
05/16/12	05/16/12	-