

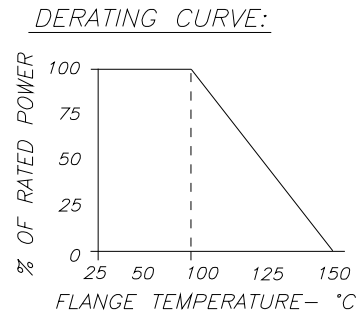
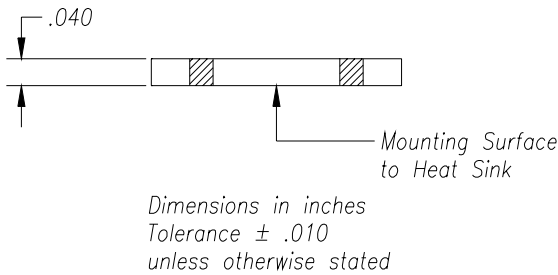
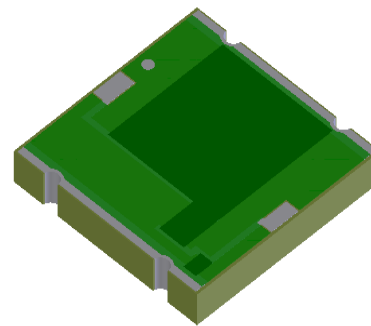
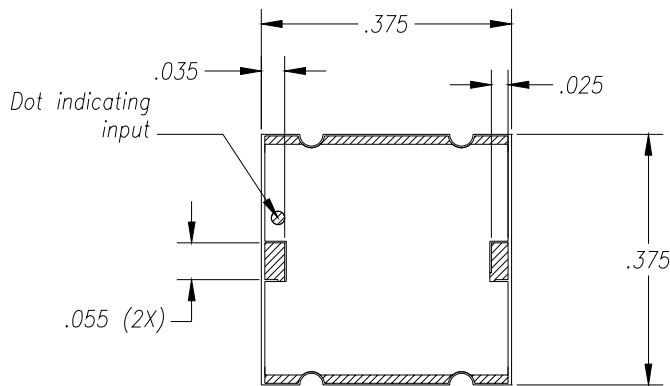
Aluminum Nitride 30 dB CHIP ATTENUATOR

Features:

- ◆ Aluminum Nitride Material
- ◆ DC - 2 GHz Performance
- ◆ 250 Watt Input Power
- ◆ CT - Matte Tin over Nickel over Silver
- ◆ Solder Mountable

General Description:

The AVC3737CT-3000JN-2T-02 is a 30 dB, Aluminum Nitride chip attenuator. It has an input power of 250 watts, while maintaining a constant mounting surface temperature of 100°C. It offers a frequency range from DC to 2 GHz.



Parameter	Min.	Typ.	Max.	Units
Frequency Range	DC		2	GHz
Input Power			250	Watts
Input Return Loss	14			dB
Output Return Loss	17.5			dB
Mounting Surface Temperature			100	°C
Attenuation	28.8	30	31.2	dB

Barry Industries reserves the right to change part number and or process without notification.

Barry Industries, Inc., 60 Walton St., Attleboro, MA 02703 T: 508-226-3350 F: 508-226-3317 E-mail: sales@barryind.com

Barry Industries maintains an ISO 9001 Certified Quality Management System

Origination Date	Revision Date	Rev.
05/27/08	05/27/08	-