



WWW.BARRYIND.COM

# ATC2010CT-3000JN-93



## Alumina

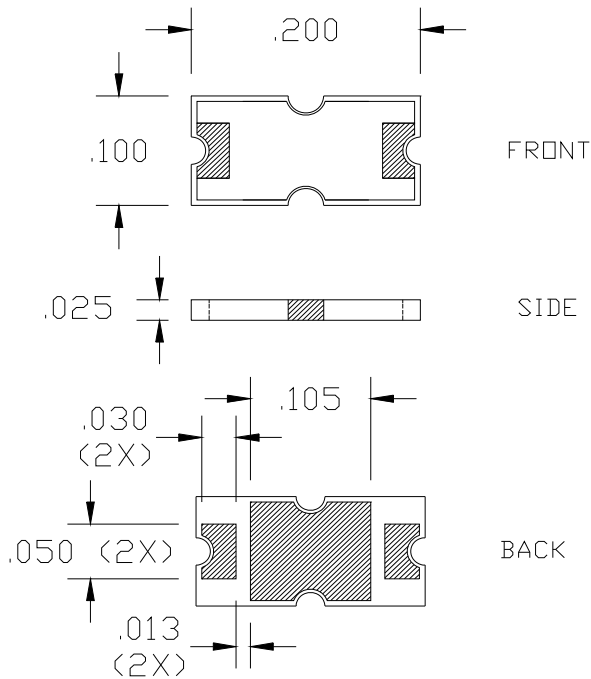
## 30 dB SURFACE MOUNT ATTENUATOR

### Features:

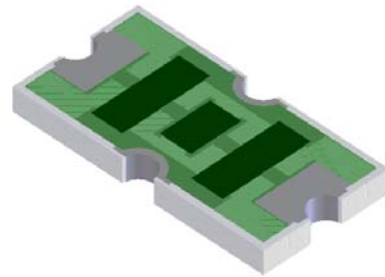
- ◆ Alumina Material
- ◆ DC to 2.5 GHz Performance
- ◆ 5 Watt Input Power
- ◆ CT = Matte Tin over Nickel over Silver
- ◆ Solder Mountable

### General Description:

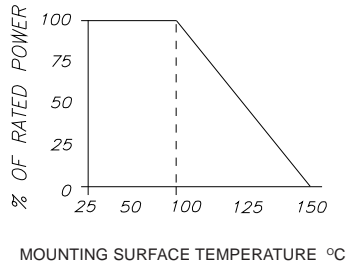
The ATC2010CT-3000JN-93 is a 30 dB Alumina surface mount chip attenuator. It has an input power of 5 watts, while maintaining a constant heat sink temperature of 100°C. It offers a frequency range from DC to 2.5 GHz.



Dimensions in inches  
Tolerance  $\pm .010$   
unless otherwise stated



DERATING CURVE:



Parameter	Min.	Typ.	Max	Units
Frequency Range	DC		2.5	GHz
Attenuation Flatness DC - 1.5 GHz	29	30	31	dB
Attenuation Flatness >1.5 - 2.5 GHz	28	30	31	dB
Input Return Loss	20			dB
Output Return Loss	20			dB
Input Power			5	Watts
Heat Sink Temperature			100 150 (0% Power)	°C

Barry Industries reserves the right to change part number and or process without notification.

Barry Industries, Inc., 60 Walton St., Attleboro, MA 02703 T: 508-226-3350 F: 508-226-3317 E-mail: sales@barryind.com  
Barry Industries maintains an ISO 9001 Certified Quality Management Sys-

Origination Date	Revision Date	Rev.
07/29/08	09/20/11	A