

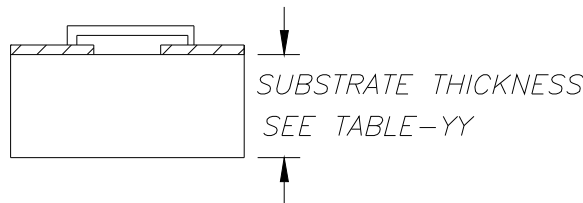
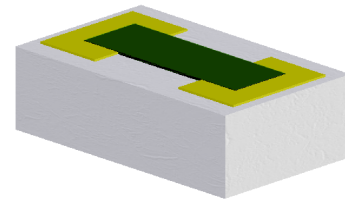
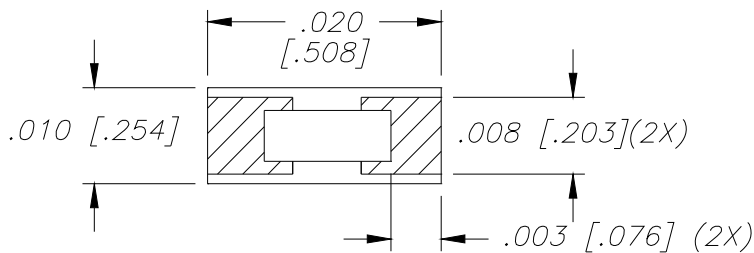
FLIP CHIP RESISTOR

Features:

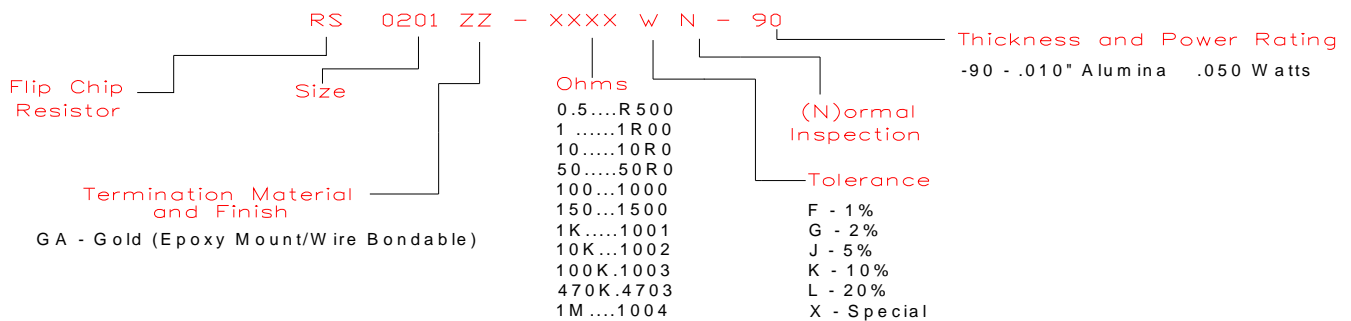
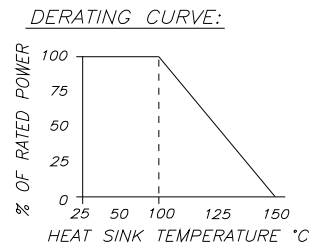
- ◆ Alumina Material
- ◆ Flip Chip Resistor
- ◆ Gold Metallization - (Epoxy Mount/Wire Bondable)

General Description:

The RS0201GA-XXXXWN-90 series is an Alumina flip chip resistor. It offers a small package design ideal for miniature electronics. See below for ordering options.



Dimensions in inches [mm]
Tolerance $\pm .005$ [.127]
unless otherwise stated



Barry Industries reserves the right to change part number and or process without notification.

Barry Industries, Inc., 60 Walton St., Attleboro, MA 02703 T: 508-226-3350 F: 508-226-3317 E-mail: sales@barryind.com
Barry Industries maintains an ISO 9001 Certified Quality Management System