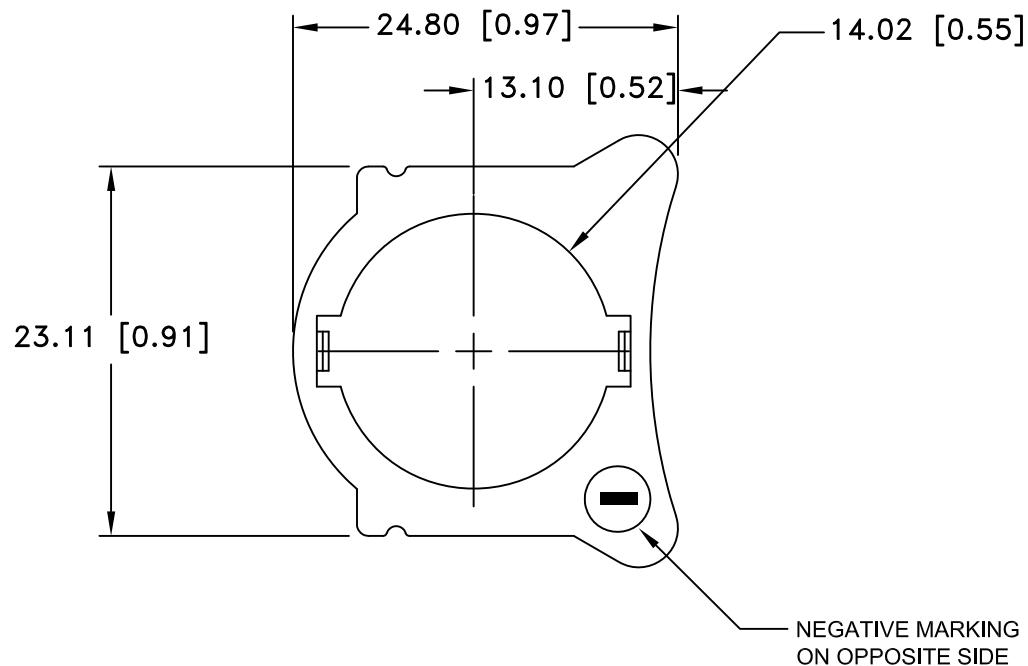
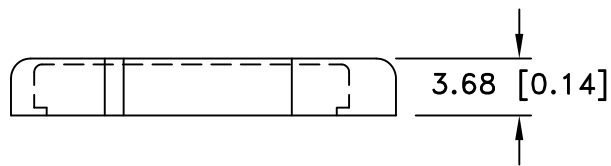


Date	SYM	REVISION RECORD	AUTH	DR.	CK.




INSULATOR



SPECIFICATIONS:

- * Material- Polypropylene, PP-1040, Off White
- * UL Flammability Rating: UL 94-HB
- * ROHS 2 COMPLIANT

Tolerance (Except as noted)	 Memory Protection Devices, Inc 200 Broad Hollow Road, Farmingdale, New York 11735	Scale	
		decimal	Drawn By B.S.
±.5 (.020)		Approved By T.B.	
Fractional	Title		
± .8 (.030)	CR2032 BATTERY INSULATOR		
Angular	Date	Drawing Number	
± 3°	04/03/15	BRX1-0003	