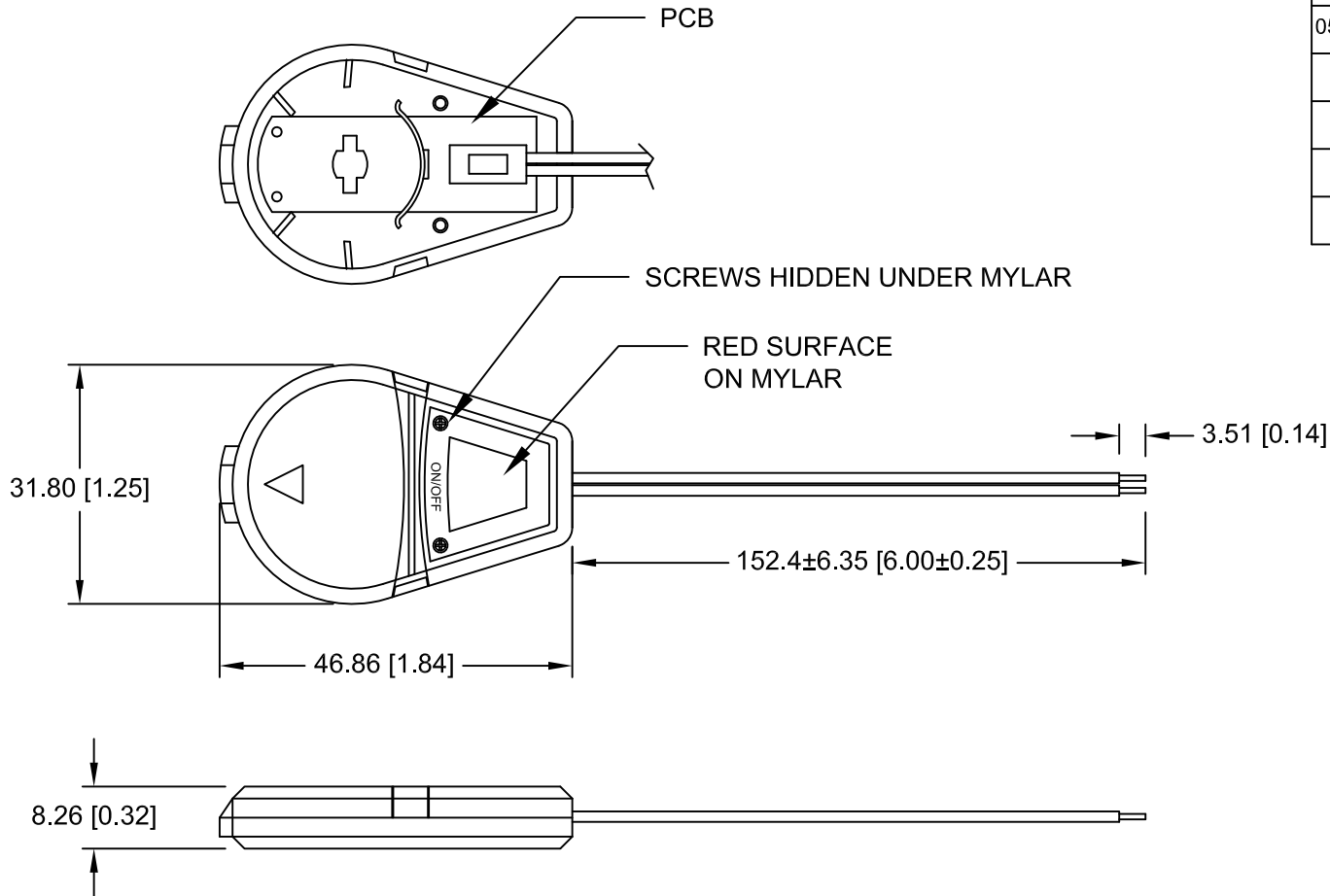


Date	SYM	REVISION RECORD	AUTH	DR.	CK.
05/06/16	A	Updated material note	T.B.	B.S.	



NOTES:


1. MATERIAL:

HOUSING: BLACK POLYPROPYLENE, UL FILE NO. E108370  
 FLAMMABILITY RATED: UL 94-HB  
 TEMPERATURE RANGE: -40°C TO +85°C  
 WIRES: 24 AWG, BLACK FOR NEGATIVE,  
 BLACK WITH WHITE TRACE FOR POSITIVE  
 BUTTON OVERLAY: 0.010" THICK MYLAR,  
 PCB: SWITCH AND POSITIVE AND NEGATIVE  
 CONTACTS FOR BATTERY  
 SCREWS: M1.6x6Mmm CRS/NI PLATED

2. ROHS 2 COMPLIANT

CUSTOM OPTIONS AVAILABLE

CONTACT MPD FOR SWEEP, DIMMER, PULSE EFFECTS

Tolerance (Except as noted)	 <b>Memory Protection Devices, Inc</b> 200 Broad Hollow Road, Farmingdale, New York 11735	Scale	Drawn By B.S.
			Approved By T.B.
decimal ±.5 (.020)	Title ENCLOSED CR2032 BATTERY HOLDER WITH ON/OFF SWITCH		
Fractional ± .8 (.030)	Date 05/06/16	Drawing Number BQ2032-6	
Angular ± 3°			