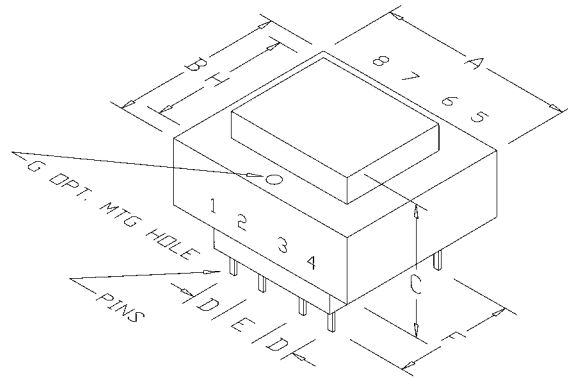
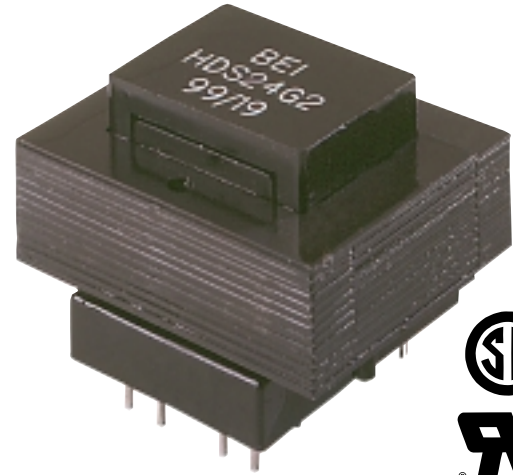


LOW VOLTAGE - HORIZONTAL P.C. MOUNTING - INTERNATIONAL

- VA size models available from 2.5 to 56 VA.
- Horizontal mounting, industry std P.C. board layout.
- Split bobbin with top shroud design.
- Single or dual primary voltages.
- Class F insulation – 155 °C.
- CSA approved (LR63462) and UL recognized (E193917).

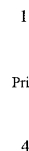
- Series/parallel secondary winding on all.
- Other primary and secondary voltages available.
- High insulation-4000 V between prim. and sec.



Primary		Size VA	Secondary (RMS)	
HSS Cat. No 115V 50/60Hz single (6 pins)	HDS Cat. No 115/230V 50/60Hz dual (8 pins)		Series	Parallel
HSS10E2	HDS10E2	2.5	10 V _{eff} @ .25 A	5 V @ .50 A
HSS10F2	HDS10F2	5.0	10 V _{eff} @ .50 A	5 V @ 1.0 A
HSS10G2	HDS10G2	10.0	10 V _{eff} @ 1.00 A	5 V @ 2.0 A
HSS10H2	HDS10H2	20.0	10 V _{eff} @ 2.00 A	5 V @ 4.0 A
HSS10J2	HDS10J2	30.0	10 V _{eff} @ 3.00 A	5 V @ 6.0 A
HSS10L2	HDS10L2	56.0	10 V _{eff} @ 5.60 A	5 V @ 11.2 A
HSS12E2	HDS12E2	2.5	12.6 V _{eff} @ .20 A	6.3 V @ .40 A
HSS12F2	HDS12F2	5.0	12.6 V _{eff} @ .40 A	6.3 V @ .80 A
HSS12G2	HDS12G2	10.0	12.6 V _{eff} @ .80 A	6.3 V @ 1.60 A
HSS12H2	HDS12H2	20.0	12.6 V _{eff} @ 1.60 A	6.3 V @ 3.20 A
HSS12J2	HDS12J2	30.0	12.6 V _{eff} @ 2.40 A	6.3 V @ 4.80 A
HSS12L2	HDS12L2	56.0	12.6 V _{eff} @ 4.40 A	6.3 V @ 8.80 A
HSS16E2	HDS16E2	2.5	16 V _{eff} @ .15 A	8 V @ .30 A
HSS16F2	HDS16F2	5.0	16 V _{eff} @ .31 A	8 V @ .62 A
HSS16G2	HDS16G2	10.0	16 V _{eff} @ .62 A	8 V @ 1.25 A
HSS16H2	HDS16H2	20.0	16 V _{eff} @ 1.25 A	8 V @ 2.50 A
HSS16J2	HDS16J2	30.0	16 V _{eff} @ 1.90 A	8 V @ 3.80 A
HSS16L2	HDS16L2	56.0	16 V _{eff} @ 3.50 A	8 V @ 7.00 A
HSS20E2	HDS20E2	2.5	20 V _{eff} @ .12 A	10 V @ .24 A
HSS20F2	HDS20F2	5.0	20 V _{eff} @ .25 A	10 V @ .50 A
HSS20G2	HDS20G2	10.0	20 V _{eff} @ .50 A	10 V @ 1.00 A
HSS20H2	HDS20H2	20.0	20 V _{eff} @ 1.00 A	10 V @ 2.00 A
HSS20J2	HDS20J2	30.0	20 V _{eff} @ 1.50 A	10 V @ 3.00 A
HSS20L2	HDS20L2	56.0	20 V _{eff} @ 2.80 A	10 V @ 5.60 A
HSS24E2	HDS24E2	2.5	24 V _{eff} @ .10 A	12 V @ .20 A
HSS24F2	HDS24F2	5.0	24 V _{eff} @ .21 A	12 V @ .42 A
HSS24G2	HDS24G2	10.0	24 V _{eff} @ .42 A	12 V @ .84 A
HSS24H2	HDS24H2	20.0	24 V _{eff} @ .83 A	12 V @ 1.66 A
HSS24J2	HDS24J2	30.0	24 V _{eff} @ 1.25 A	12 V @ 2.50 A
HSS24L2	HDS24L2	56.0	24 V _{eff} @ 2.33 A	12 V @ 4.66 A
HSS28E2	HDS28E2	2.5	28 V _{eff} @ .09 A	14 V @ .18 A
HSS28F2	HDS28F2	5.0	28 V _{eff} @ .18 A	14 V @ .36 A
HSS28G2	HDS28G2	10.0	28 V _{eff} @ .36 A	14 V @ .72 A
HSS28H2	HDS28H2	20.0	28 V _{eff} @ .72 A	14 V @ 1.44 A
HSS28J2	HDS28J2	30.0	28 V _{eff} @ 1.06 A	14 V @ 2.12 A
HSS28L2	HDS28L2	56.0	28 V _{eff} @ 2.00 A	14 V @ 4.00 A
HSS36E2	HDS36E2	2.5	36 V _{eff} @ .07 A	18 V @ .14 A
HSS36F2	HDS36F2	5.0	36 V _{eff} @ .14 A	18 V @ .28 A
HSS36G2	HDS36G2	10.0	36 V _{eff} @ .28 A	18 V @ .56 A
HSS36H2	HDS36H2	20.0	36 V _{eff} @ .56 A	18 V @ 1.12 A
HSS36J2	HDS36J2	30.0	36 V _{eff} @ .82 A	18 V @ 1.64 A
HSS36L2	HDS36L2	56.0	36 V _{eff} @ 1.56 A	18 V @ 3.12 A

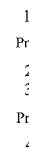
HSS

Single primary
115V 50/60Hz
(pin 2 and 3 omitted)



HDS

Dual primary
115/230V 50/60Hz



VA Size	A	B	C	D	E	F	Pin Dim	H	G Mtg. Screw	lbs
2.5	1.63	1.31	1.13	.20	.25	1.00	.025 sq.	1.06	2 x #4	0.25
5.0	1.63	1.31	1.38	.20	.40	1.00	.025 sq.	1.06	2 x #4	0.37
10.0	1.88	1.56	1.38	.20	.40	1.14	.038 sq.	1.25	2 x #4	0.53
20.0	2.25	1.88	1.63	.40	.40	1.46	.038 sq.	1.50	2 x #4	0.90
30.0	2.63	2.19	1.56	.55	.28	1.68	.045 sq.	1.75 x 2.18	4 x #6	1.15
56.0	3.00	2.50	1.81	.60	.30	1.90	.045 sq.	2.00 x 2.50	4 x #6	1.70

All dimensions are in inches 30 VA and 56 VA size has 4 mounting holes in 4 corners.