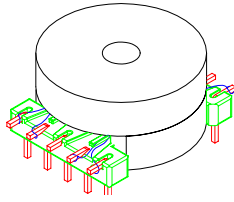


★ For use with Level One SK70740 Application

★ Excellent THD performance

★ Designs exceed standards for ANSI and ETSI

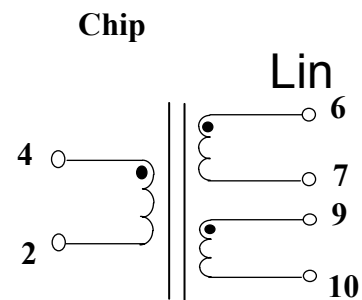
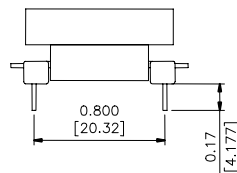
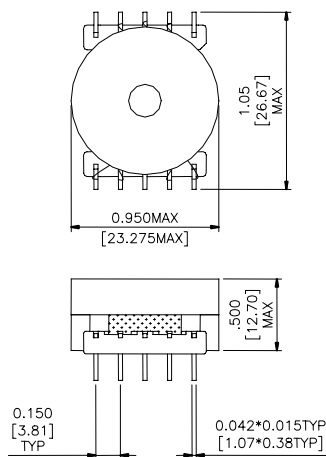


Specifications					
Part Number	Application	Turn Ratio (1%) Chip:Line	OCL @ 10 KHz, 0.1 V Line Side	Leakage Inductance (4-2)@100KHZ,0.1V	Return Loss @40KHZ-200KHZ
DT5012	HDSL	1:1.8	3.0mH(±10%)	20uH Max	20 dB Min

Specifications continue					
Part Number	Longitudinal Balance @5-196KHz	THD @ 5 KHz,5.2Vp-p	DCR Line Side(6-10)	DCR Chip Side(4-2)	Isolation Voltage 10mA,1sec
DT5012	50 dB Min	70 dB Min	6.0 ohm Max	3.2ohm Max	1500(Vrms)

### Dimension

### Schematic



DT5012

Data sheet subject to change without notice