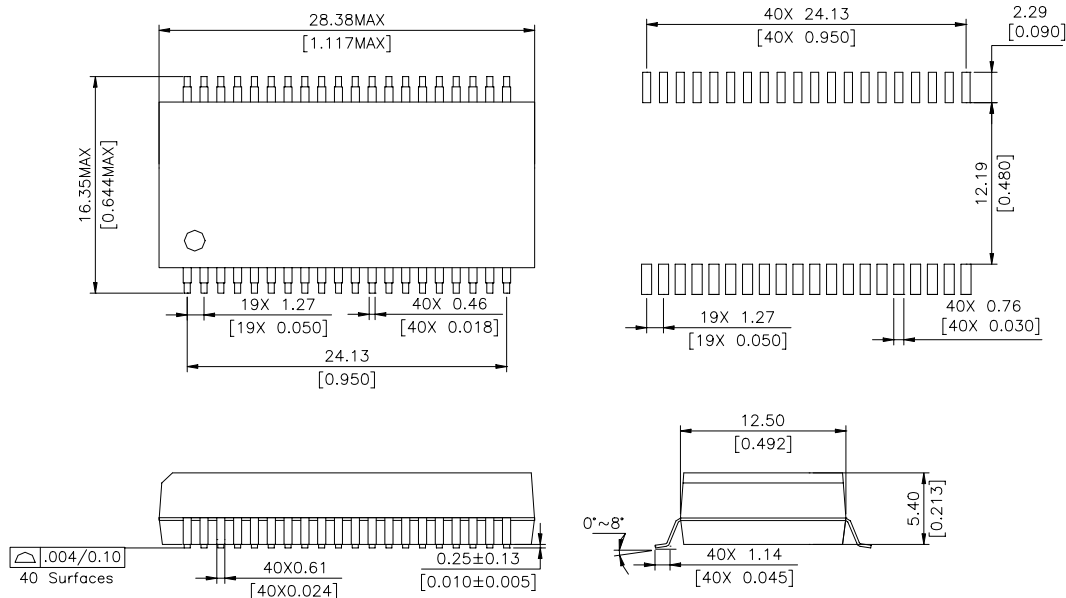


- ★ Designed to meet IEEE802.3u requirement
- ★ Designed to meet IR 235^oC peak requirement
- ★ Primary inductance 350 μ H min. with 8mA DC Bias
- ★ Symmetrical TX and Rx for MDI/MDIX capability

Specifications										
Part Number	Turn Ratio		Insertion Loss 1~100MHz (dB MAX)	Return Loss (MHz)			CMRR (dB)			Hi-Pot (Vrms MIN)
	Tx	Rx		30MHz	50MHz	80MHz	30MHz	50MHz	100MHz	
HS4012	1:1	1:1	1.0	-18db	-13.1dB	-12dB	-42db	-40dB	-35dB	1500

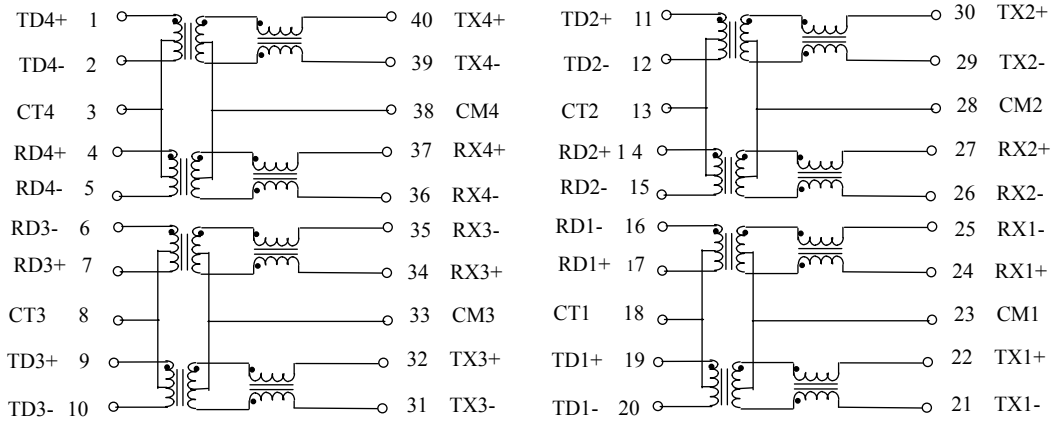
Mechanical



Data sheet subject to change without notice

Schematics

HS4012



Data sheet subject to change without notice