

ISDN-U Interface Transformer



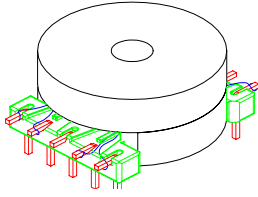
Best Job!



★ Matched to Leading transceiver ICs

★ High THD Performance

★ Part Meet ANSI T1.601-1992

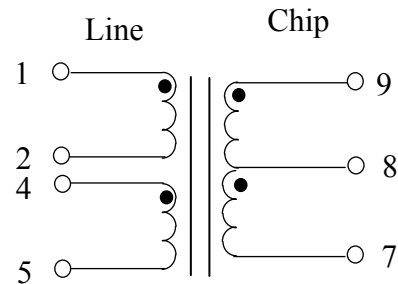
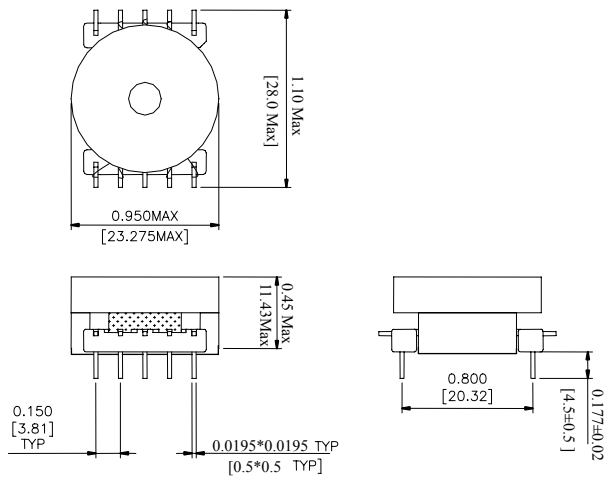


Specifications					
Part Number	Application	Turn Ratio (3%) (1-5):(9-7)	OCL @ 10 KHz, 0.1 V (1-5), 2-4 shorted with 50mA DC	DCR (1-5), 2-4 shorted	DCR (9-7)
UT5003	ISDN-U	1.25:1	26.5-29.5mH	12 ohms Max	7.0 ohms Max

Specifications continue				
Part Number	Return Loss 10 KHz-25 KHz	Longitudinal Balance (from 281 Hz to 40 KHz)	T.H.D (700Hz)	Isolation Voltage (Vrms)
UT5003	20 dB MIN	-55 dB Min	-71 dB Min	2000

Dimension : inch/mm

Schematic



UT5003

Data sheet subject to change without notice