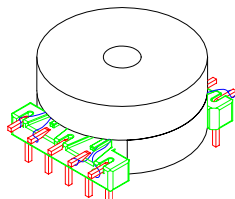


★ Designs exceed standards for ANSI and ETSI

★ Excellent THD performance

★ 70 mA DC Bias Capacity

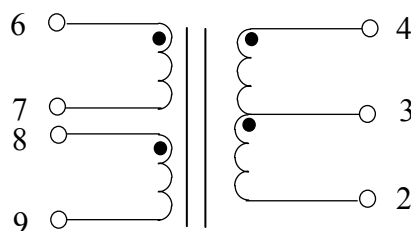
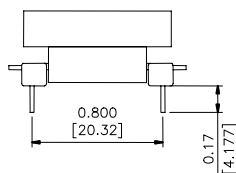
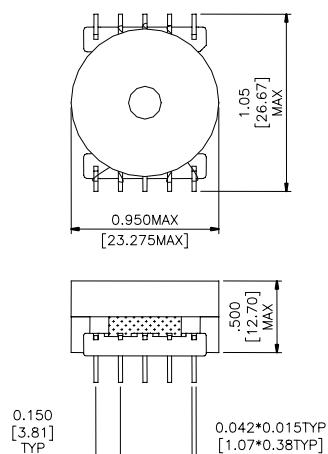


Specifications					
Part Number	Application	Turn Ratio (2%) (6-9):(4-2)	OCL @ 10 KHz, 0.1 V (6-9), 7+8 shorted 70 mA DC Bias	Leakage Inductance @ 100 KHz, 0.1 V (6-9), 7-8,4-2 shorted	Longitudinal Balance @292KHz 135Ω
DT5032	HDSL	1:1	2.0mH(±6%)	8uH Max	-55dB Min

Specifications continue				
Part Number	THD(135Ω @200KHz,6V)	DCR (6-7)=(8-9)	DCR (2-4)	Isolation Voltage (Vrms)
DT5032	-75 dB MIN	2.2 Ω max	2.2 Ω max	1500

Dimension

Schematic



DT5032

Data sheet subject to change without notice