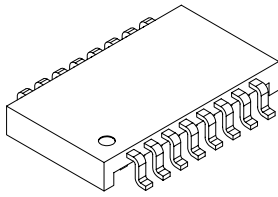




Best Job!

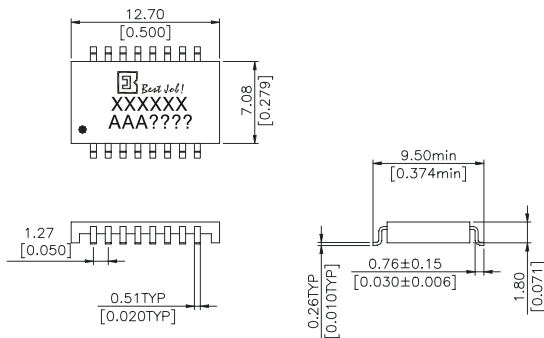
10/100 PC Card SMD Transformer Modules



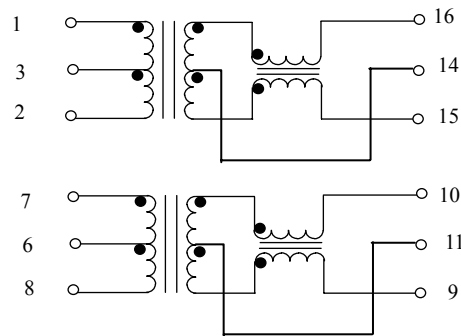
- ★ Designed to meet IEEE802.3u requirement
- ★ Designed to meet IR 235⁰C peak requirement
- ★ Primary inductance 350 μ H min.
- ★ Low Profile package for CardBus Application

Specifications										
Part Number	Turn Ratio		Insertion Loss 0.1~100MHz (dB MAX)	Return Loss (MHz)			CMRR (dB)			Hi-Pot (Vrms MIN)
	Tx	Rx		30MHz	60MHz	80MHz	30MHz	50MHz	100MHz	
HS5014	1:1	1:1	1.1	-20db	-14dB	-11.5dB	-42db	-37dB	-33dB	1500

Dimension



Schematic



Note: XXXXXX : Part Number

Data sheet subject to change without notice