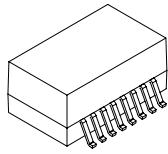


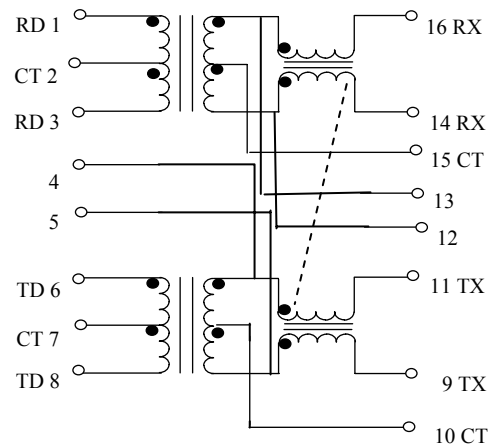
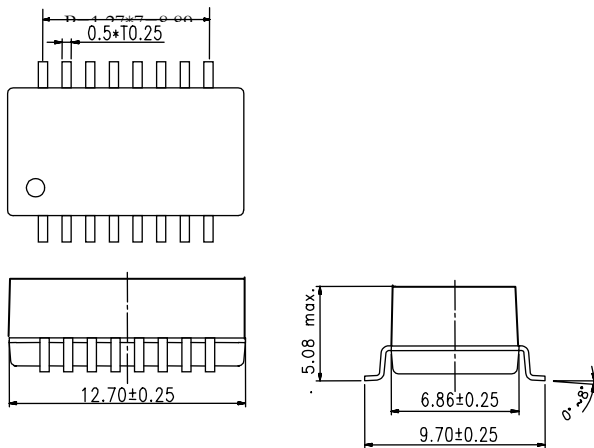
- ★ Designed to meet IEEE802.3 requirement
- ★ Designed to meet IR 235<sup>o</sup>C peak requirement
- ★ 1500Vrms Isolation
- ★ Small Package in SMD 16 pins package



Specifications						
Part Number	Turn Ratio		Lp (uH Min)	LL (uH Max)	Cww (pF Max)	DCR (ohm Max)
	Tx	Rx				
ET9015	1:1.414	1:1	200	0.3	20	0.9

**Dimension**

**Schematic**



Data sheet subject to change without notice