



Best Job!

10/100 Base-TX Single SMD/DIP Port Transformers



MODEL NO.: FT16-801S/B、FT16-802S/B、FT16-803S/B FT16-806

Transformer for Atan AT8985P、BCM5318/5226/5228、LXT97819784/4/9785、
Kendin KS8995E/8997/8999、Marvell's 88E3061/3081/6050
IC-Plus IP-175A/178A Realtek RTL8305SB Chip-set

Symmetrical TX and RX channels for auto MDI/MDIX capability
Models designed to support four single or double stacked RJ-45 Connectors.

Feature:

Meets all IEEE802.3 and ANSI X3.263 Standards

Operating Temperature 0°C To +70°C

Storage Temperature -25°C To +125°C

Specifications: AT25°C.

Primary inductance(LP) 350 μ H Min (100KHz, 100mV, 8mA)

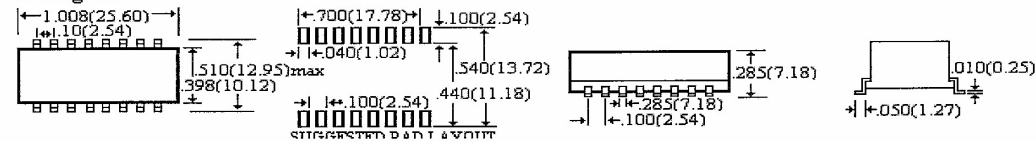
Leakage inductance(LL) 0.3 μ H Max (100KHz, 100mV)

Primary Capacitance(C_{ww}) 25.OPF Max(1MHz, 500mV)

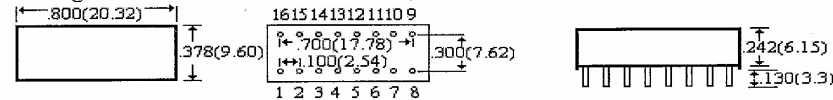
Part Number	Transformer Turns ratio ($\pm 2\%$) Receive Transmit	Insertion Loss (dB TYP) 1-100MHz	Crosstalk (dB TYP)				Return loss (dB MIN)		Common Mode Rejection (dB MIN)		Hipot VAC
			1MHz	30MHz	60MHz	100MHz	5 to 100 Mhz (dB MIN)	1-60MHz 60-100MHz	1-60	60-100	
FT16-801S/B	1:1 1CT:1CT	1.0	-65	-50	-40	-35	-18	-12	-40	-30	1500
FT16-802S/B	1:1 1CT:1CT	1.0	-65	-50	-40	-35	-18	-12	-40	-30	1500
FT16-803S/B	1:1 1CT:1CT	1.0	-65	-50	-40	-35	-18	-12	-40	-30	1500
FT16-806S/B	1:1 1CT:1CT	1.0	-65	-50	-40	-35	-18	-12	-40	-30	1500

Dimension: inch(mm) +/- 0.010(0.25)

Package S:

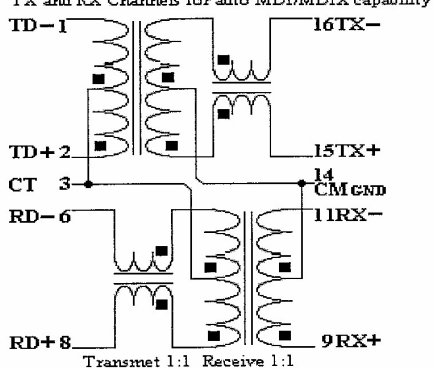


Package B:



Schematic:

FT16-801S/B(Horizontal) TX and RX Channels for auto MDI/MDIX capability



FT16-802S/B (Vertical) TX and RX Channels for auto MDI/MDIX capability

