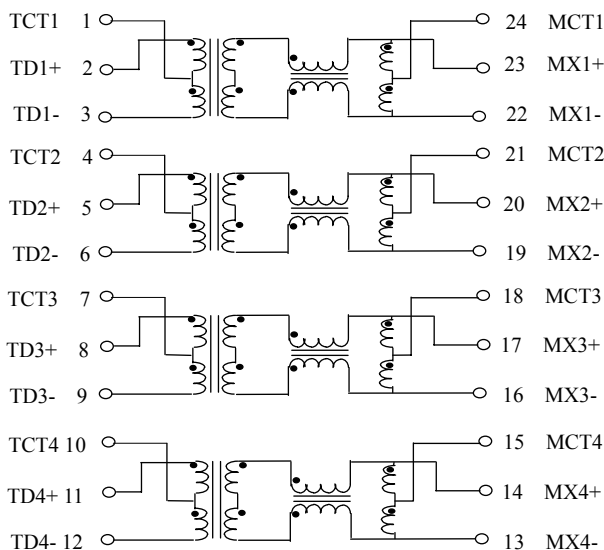
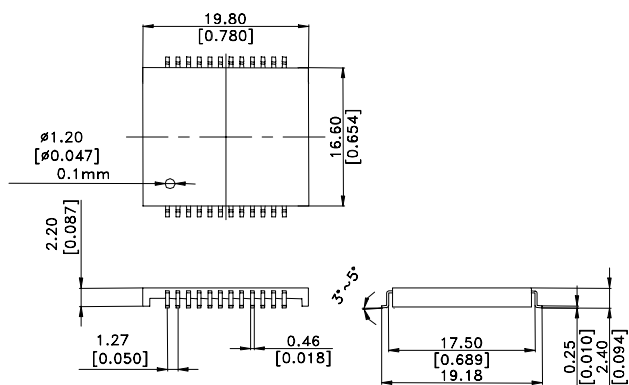


- ★ Designed to meet IEEE802.3ab requirement
- ★ Designed to meet IR 235<sup>0</sup>C peak requirement
- ★ Primary inductance 350 $\mu$ H min. with 8mA DC Bias
- ★ Single Port for NIC Application

<b>Specifications</b>											
Part Number	Turn Ratio	Insertion Loss 1~100MHz (dB MAX)	Return Loss (MHz)					DMCM (dB)			Hi-Pot (Vrms MIN)
			1-30MHz	40MHz	50MHz	60-80MHz	100MHz	30MHz	60MHz	100MHz	
GT5002	1CT:1CT	-1.0	-16dB	-14.4dB	-13.1dB	-12dB	-10dB	-43db	-37dB	-33dB	1500

**Mechanical**



Data sheet subject to change without notice