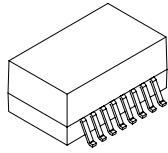
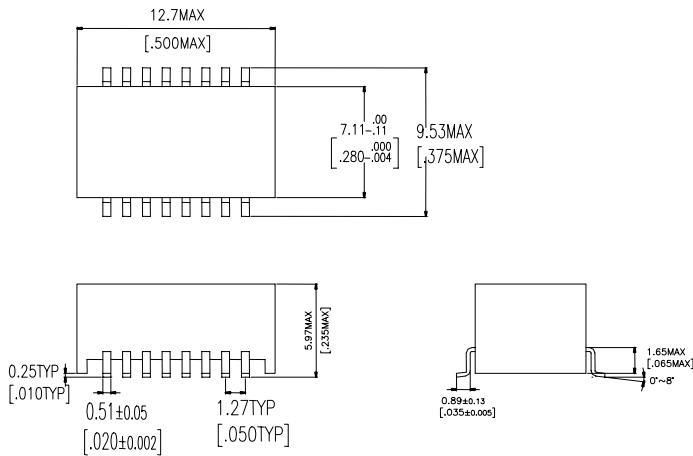


- ★ Designed to meet IEEE802.3u requirement
- ★ Designed to meet IR 235⁰C peak requirement
- ★ Primary inductance 350 μ H min. with 8mA DC Bias
- ★ Small Package for LAN on Board Application
- ★ Operating temperature from -40 $^{\circ}$ C to +85 $^{\circ}$ C

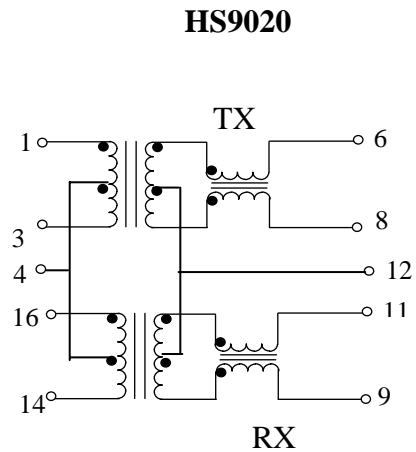


Specifications										
Part Number	Turn Ratio		Insertion Loss 0.3~100MHz (dB MAX)	Return Loss (MHz)			CMRR (dB)			Hi-Pot (Vrms MIN)
	Tx	Rx		30MHz	60MHz	100MHz	30MHz	50MHz	100MHz	
HS9020	1:1	1:1	1.15	-20 dB	-14dB	-12dB	-40db	-35dB	-30dB	1500

Dimension



Schematic



Data sheet subject to change without notice