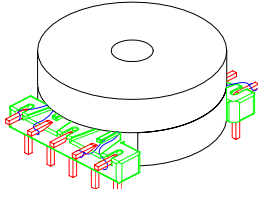


★ Matched to Level One's ICs

★ High THD Performance

★ Designs exceed standard for ANSI and ETSI

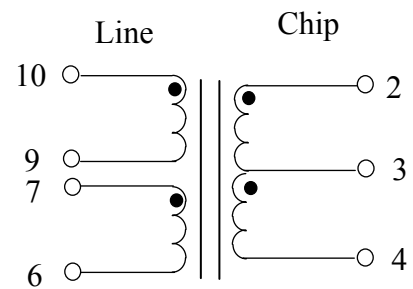
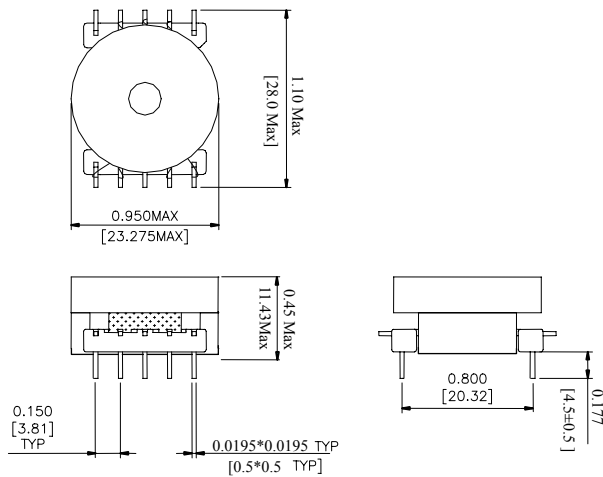


Specifications					
Part Number	Application	Turn Ratio (3%) (2-3):(10-6)	OCL @ 10 KHz, 0.1 V (10-6), 9+7 shorted with 75mA DC	DCR (6-7),(9-10)	DCR (2-4)
AT5059	HDSL	1CT:1.8CTS	2.06mH(±6%)	2.0 ohms Max	2.0 ohms Max

Specifications continue				
Part Number	Return Loss (40 KHz-320 KHz)	Longitudinal Balance (from 5KHz to 292 KHz)	T.H.D (5KHz,6Vp-p)	Isolation Voltage (Vrms)
AT5059	17 dB MIN	50dB Min	75 dB typ	2500

Dimension : inch/mm

Schematic



AT5059

Data sheet subject to change without notice