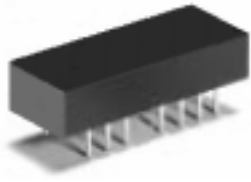


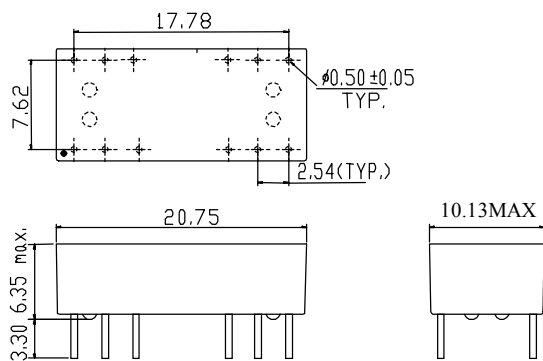
10/100 Single Port Transformer Modules



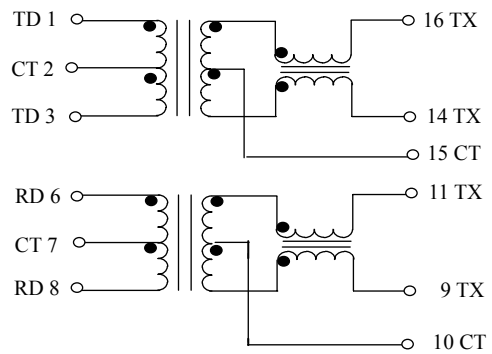
- ★ Designed to meet IEEE802.3u requirement
- ★ Primary inductance 350μH min. with 8mA DC Bias
- ★ Single Port for NIC or Hub Application

| Specifications | | | | | | | | | | |
|----------------|------------|-----|--|----------------------|-------|-------|--------------|-------|--------|-------------------------|
| Part Number | Turn Ratio | | Insertion Loss 1~100MHz (dB MAX) | Return Loss (MHz) | | | CMRR (dB) | | | Hi-Pot (Vrms MIN) |
| | Tx | Rx | | 30MHz | 60MHz | 80MHz | 30MHz | 50MHz | 100MHz | |
| HT0007 | 1:1 | 1:1 | 1.0 | -20db | -15dB | -12dB | -42db | -40dB | -35dB | 1500 |
| | | | | | | | | | | |
| | | | | | | | | | | |
| | | | | | | | | | | |
| | | | | | | | | | | |
| | | | | | | | | | | |

Dimension



Schematic



Data sheet subject to change without notice