

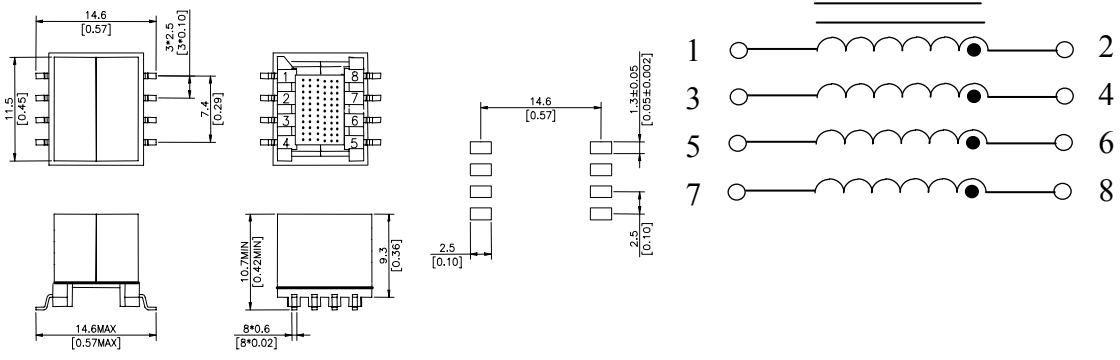
- ★ Designed to meet IR 235°C peak requirement for SMD part
- ★ Excellent THD performance
- ★ Small EP10 Package in SMD and THT Type

Specifications					
Part Number	Application	Turn Ratio(±1%) (1-2):(3-4) (5-6):(7-8)	OCL(1-4) @ 10 KHz, 1 V	Leakage Inductance (1-3),short(2+4) &(5-7),short(6+8) @ 100 KHz, 1 V	C <sub>ww</sub> (1-3)&(5-7) @ 100 KHz, 1 V
AT0040	SMD	1:1	11mH min	1000nH max	10 pF
AT5040	THD	1:1	11mH min	1000nH max	10 pF

Specifications continue				
Part Number	DCR (1-4), short(2+3)	DCR (5-8),short (6+7)	Isolation Voltage(Vdc) (1-3)&(5-7)	
AT0040	1.0 Ω max	1.0 Ω max	500	
AT5040	1.0 Ω max	1.0 Ω max	500	

### Dimension

### Schematic



Data sheet subject to change without notice

## Dimension

## Schematic

