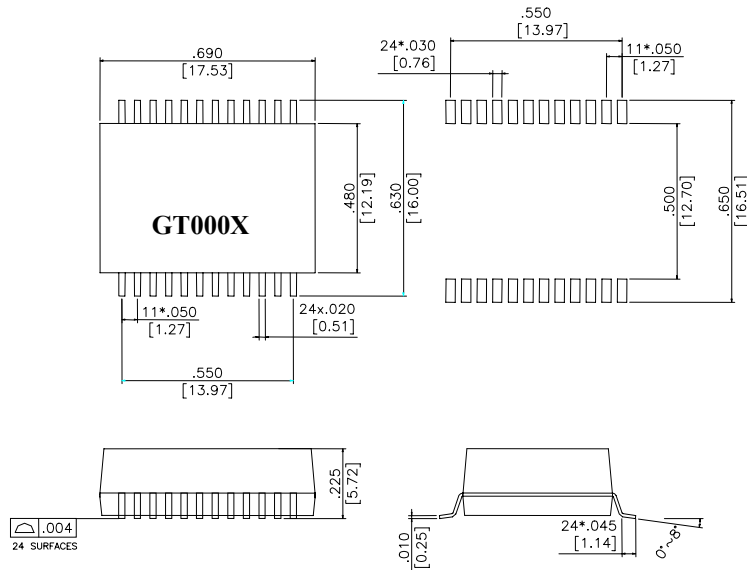


- ★ Designed to meet IEEE802.3ab requirement
- ★ Designed to meet IR 235⁰C peak requirement
- ★ Primary inductance 350 μ H min. with 8mA DC Bias
- ★ Single Port for NIC Application

Specifications

Part Number	Turn Ratio	Insertion Loss 1~100MHz (dB MAX)	Return Loss (MHz)					DMCM (dB)			Hi-Pot (Vrms MIN)
			1-30MHz	40MHz	50MHz	60-80MHz	100MHZ	30MHz	60MHz	100MHz	
HS0024	1CT:1CT	1.0	-16dB	-14.4dB	-13.1dB	-12dB	10dB	-40db	-40dB	-35dB	1500

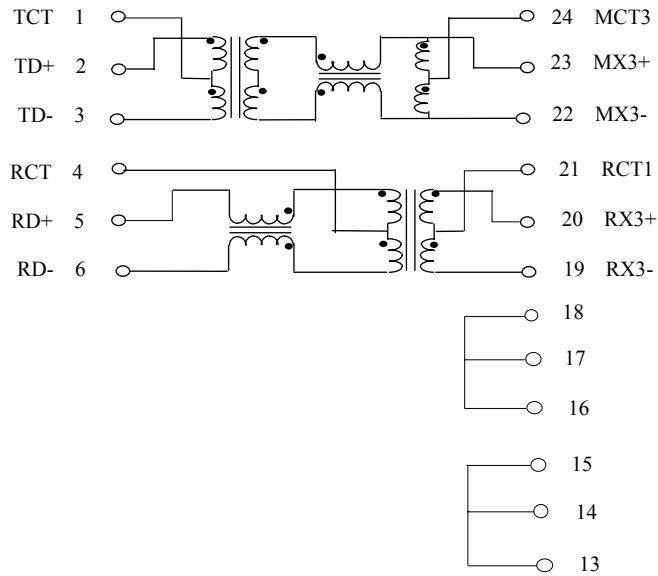
Mechanical



Data sheet subject to change without notice

Schematics

HS0024



Data sheet subject to change without notice