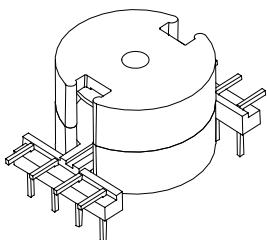


★ Excellent THD performance

★ Package POT18×11 for THT type

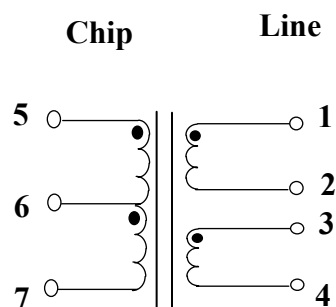
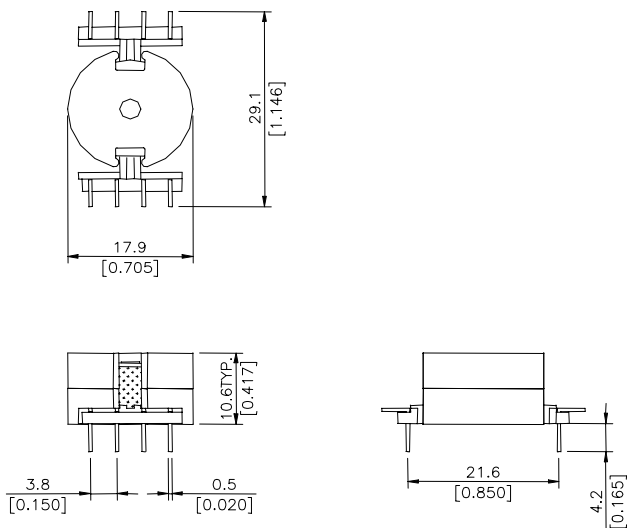


Specifications				
Part Number	Application	Turn Ratio (2%) (1-4): (5-7)	OCL (1-4) @ 10 KHz, 0.1 V	Leakage Inductance(5-7),short(1+2+3+4) @100KHZ,0.1V
DT5031	HDSL	1.63:1	17mH(±6%)	25uH Max

Specifications continue					
Part Number	Longitudinal Balance @200KHz	THD @ 200 KHz,6Vp-p	DCR Line Side(1-4)	DCR Chip Side(5-7)	Isolation Voltage 10mA,1sec
DT5031	55 dB Min	75 dB Min	4.5 ohm Max	3.0ohm Max	2000(Vrms)

### Dimension

### Schematic



DT5031

Data sheet subject to change without notice