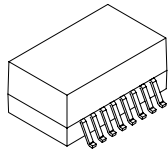


★ Designed to meet IEEE802.3u requirement



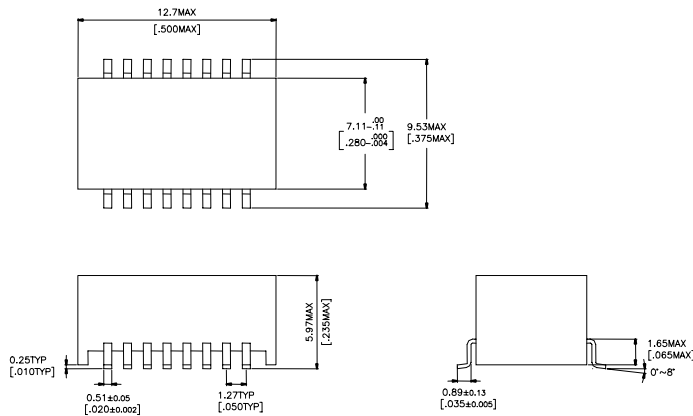
★ Designed to meet IR 235⁰C peak requirement

★ Primary inductance 350 μ H min. with 8mA DC Bias

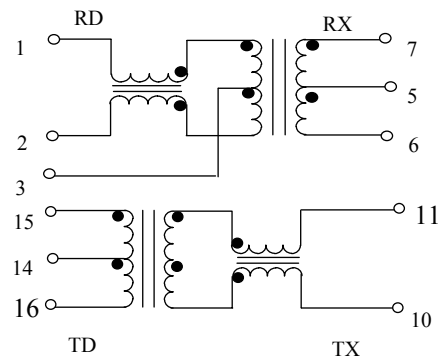
★ Small Package for LAN on Board Application

| Specifications | | | | | | | | | | |
|----------------|------------|-----|--|----------------------|-------|--------|--------------|-------|--------|----------------------|
| Part Number | Turn Ratio | | Insertion Loss 0.1~125MHz (dB MAX) | Return Loss (MHz) | | | CMRR (dB) | | | Hi-Pot (Vrms MIN) |
| | Tx | Rx | | 30MHz | 60MHz | 100MHz | 30MHz | 50MHz | 100MHz | |
| HS9011 | 1:1 | 1:1 | 1.1 | -18 dB | -14dB | -12dB | -42db | -40dB | -35dB | 1500 |
| | | | | | | | | | | |
| | | | | | | | | | | |
| | | | | | | | | | | |
| | | | | | | | | | | |
| | | | | | | | | | | |

Dimension



Schematic



Data sheet subject to change without notice