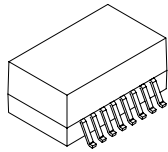


★ Designed to meet IEEE802.3u requirement



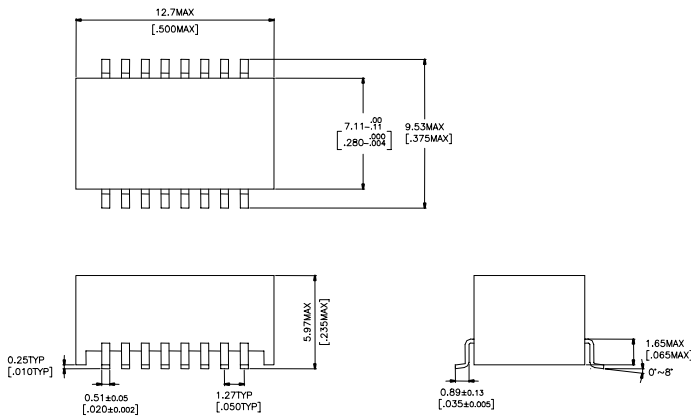
★ Designed to meet IR 235<sup>o</sup>C peak requirement

★ Primary inductance 350 $\mu$ H min. with 8mA DC Bias

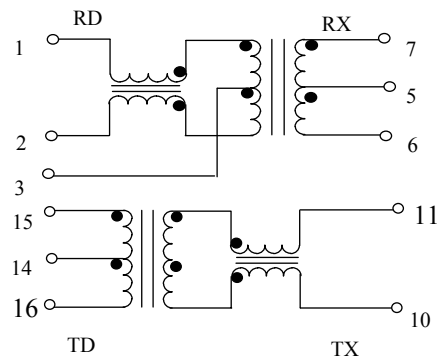
★ Small Package for LAN on Board Application

Specifications										
Part Number	Turn Ratio		Insertion Loss 0.1~125MHz (dB MAX)	Return Loss (MHz)			CMRR (dB)			Hi-Pot (Vrms MIN)
	Tx	Rx		30MHz	60MHz	100MHz	30MHz	50MHz	100MHz	
HS9013	1:1	1:1	1.1	-18 dB	-14dB	-12dB	-42db	-40dB	-35dB	1500

**Dimension**



**Schematic**



Data sheet subject to change without notice