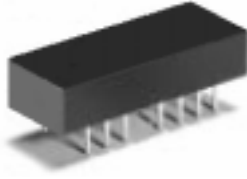


10/100 Single Port Transformer Modules

★ Designed to meet IEEE802.3u requirement

★ Primary inductance 350μH min. with 8mA DC Bias

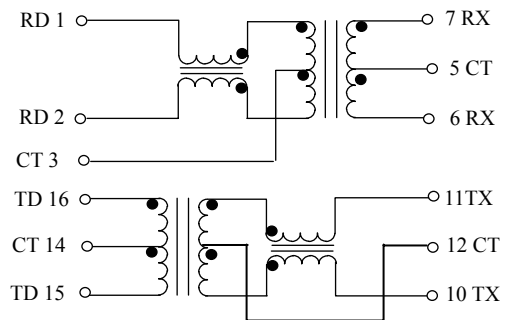
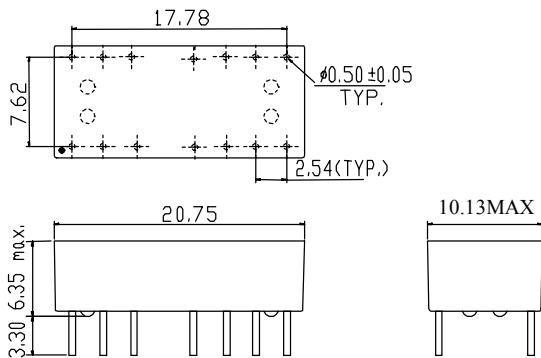
★ Single Port for NIC or Hub Application



Specifications										
Part Number	Turn Ratio		Insertion Loss 1~100MHz (dB MAX)	Return Loss (MHz)			CMRR (dB)			Hi-Pot (Vrms MIN)
	Tx	Rx		30MHz	60MHz	80MHz	30MHz	50MHz	100MHz	
HT0017	1:1	1:1	1.0	-20db	-15dB	-12dB	-42db	-40dB	-35dB	1500

Dimension

Schematic



Data sheet subject to change without notice