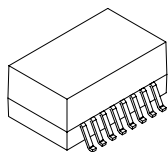


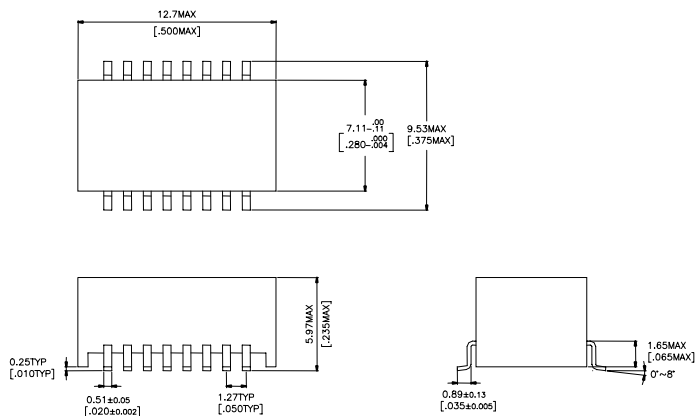
# 10/100 Small Package Transformer Modules



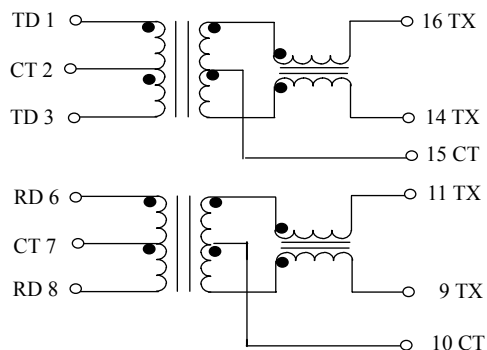
- ★ Designed to meet IEEE802.3u requirement
- ★ Designed to meet IR 235<sup>o</sup>C peak requirement
- ★ Primary inductance 350μH min. with 8mA DC Bias
- ★ Small Package for LAN on Board Application

Specifications										
Part Number	Turn Ratio		Insertion Loss 0.1~100MHz (dB MAX)	Return Loss (MHz)			CMRR (dB)			Hi-Pot (Vrms MIN)
	Tx	Rx		30MHz	60MHz	80MHz	30MHz	50MHz	100MHz	
HS9001	1:1	1:1	1.1	-20db	-14dB	-11.5dB	-42db	-37dB	-33dB	1500
HS9002	1.414:1	1:1	1.1	-20db	-14dB	-11.5dB	-42db	-37dB	-33dB	1500
HS9003	1.25:1	1:1	1.1	-20db	-14dB	-11.5dB	-42db	-37dB	-33dB	1500
HS9004	2:1	1:1	1.1	-20db	-14dB	-11.5dB	-42db	-37dB	-33dB	1500
HS9005	1:1.414	1:1	1.1	-20db	-14dB	-11.5dB	-42db	-37dB	-33dB	1500
HS9006	1:1.25	1:1	1.1	-20db	-14dB	-11.5dB	-42db	-37dB	-33dB	1500

## Dimension



## Schematic



Data sheet subject to change without notice