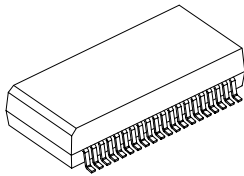


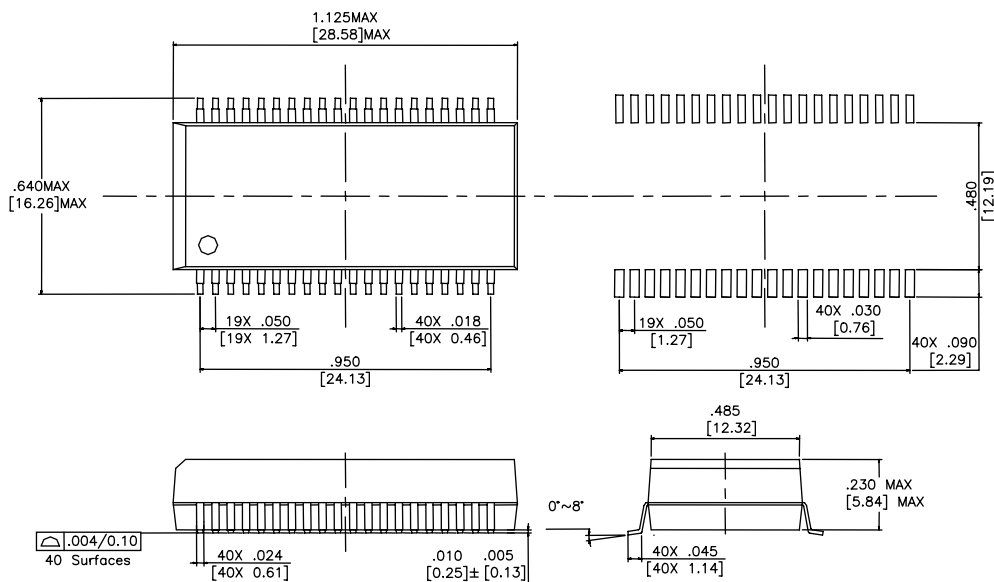
10/100 Quad Port Transformer Modules



- ★ Designed to meet IEEE802.3u requirement
- ★ Designed to meet IR 235^oC peak requirement
- ★ Primary inductance 350 μ H min. with 8mA DC Bias
- ★ Quad Port for Hub Application

Specifications										
Part Number	Turn Ratio		Insertion Loss 1~100MHz (dB MAX)	Return Loss (MHz)			CMRR (dB)			Hi-Pot (Vrms MIN)
	Tx	Rx		30MHz	50MHz	80MHz	30MHz	50MHz	100MHz	
HS4004	1CT:1CT	1:1	1.0	-21db	-15.5dB	-12dB	-42db	-40dB	-35dB	1500
HS4001	1CT:1CT	1:1	1.0	-21db	-15.5dB	-12dB	-42db	-40dB	-35dB	1500
HS4003	1CT:1CT	1:1	1.0	-21db	-15.5dB	-12dB	-42db	-40dB	-35dB	1500
HS4002	1CT:1CT	1:1	1.0	-21db	-15.5dB	-12dB	-42db	-40dB	-35dB	1500
HS4005	1CT:1CT	1:1	1.0	-21db	-15.5dB	-12dB	-42db	-40dB	-35dB	1500
HS4011	1CT:1CT	1:1	1.0	-21db	-15.5dB	-12dB	-42db	-40dB	-35dB	1500

Mechanical



Data sheet subject to change without notice



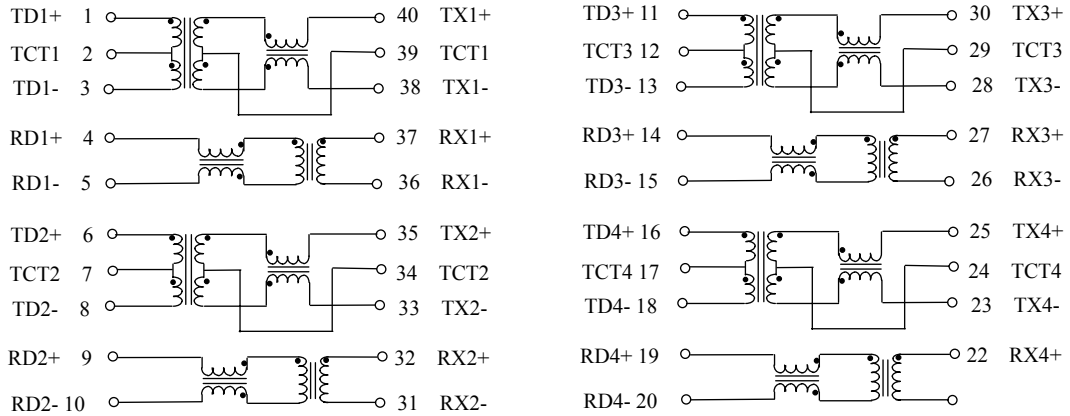
Best Job!

10/100 Quad Port Transformer Modules

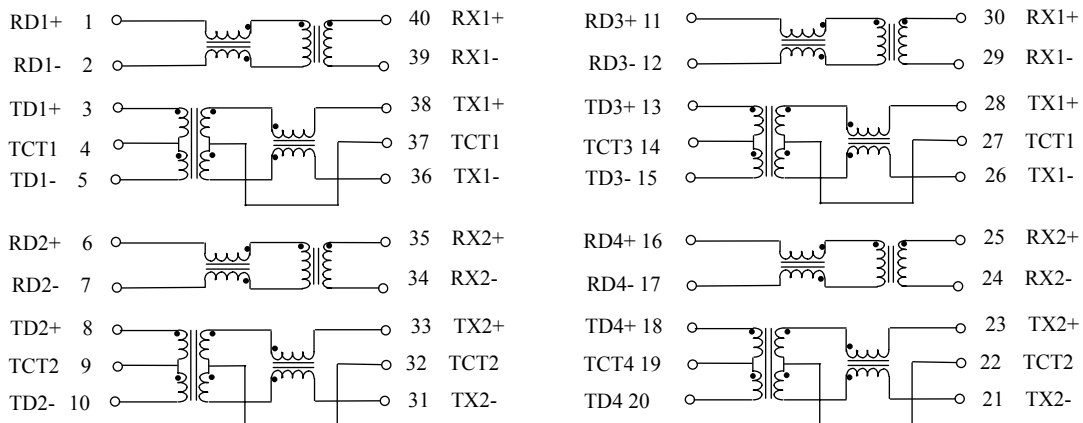


Schematics

HS4004



HS4001



Data sheet subject to change without notice



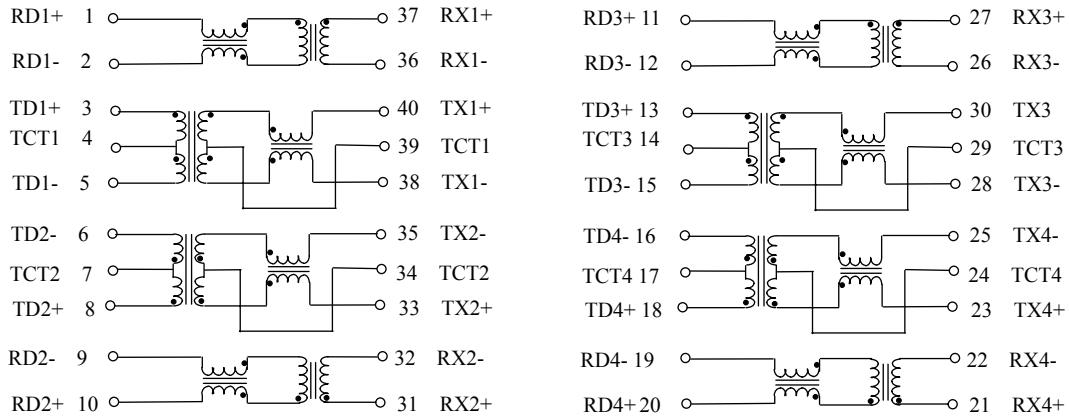
Best Job!

10/100 Quad Port Transformer Modules

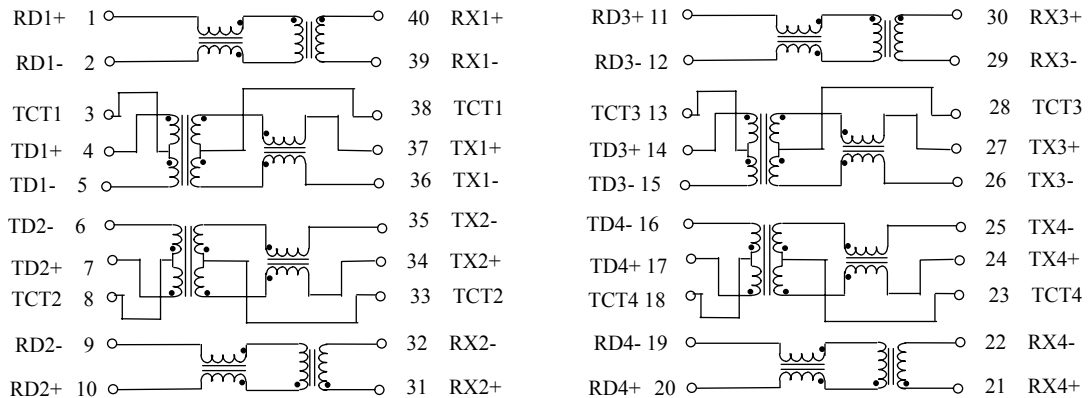


Schematics

HS4003



HS4002

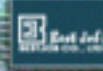


Data sheet subject to change without notice



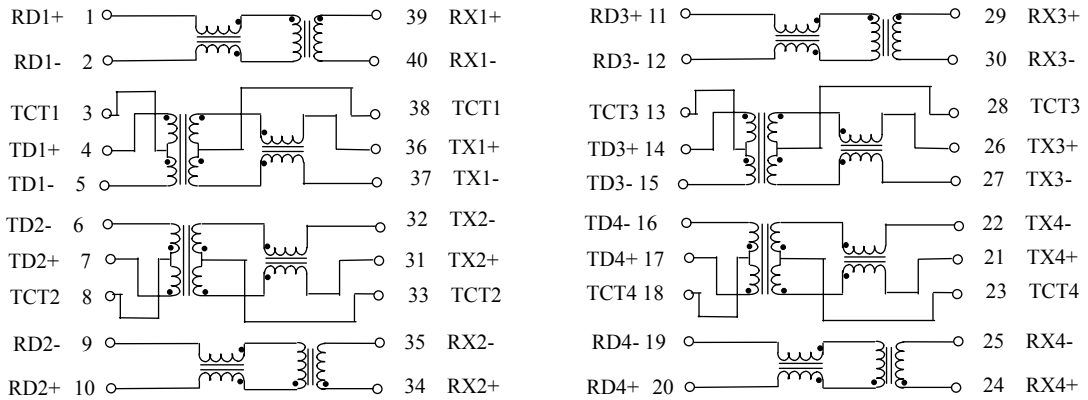
Best Job!

10/100 Quad Port Transformer Modules

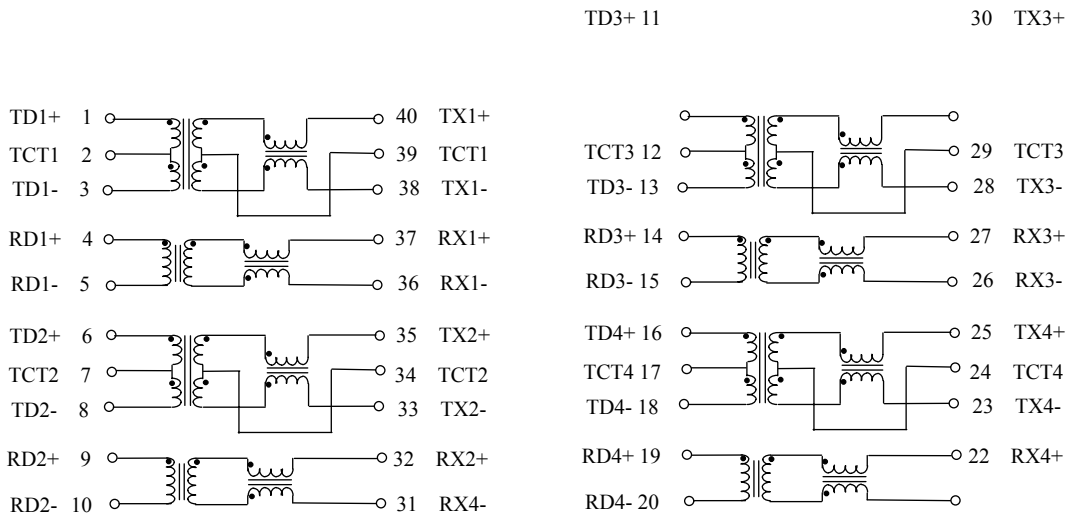


Schematics

HS4005



HS4011



Data sheet subject to change without notice