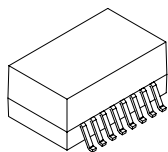
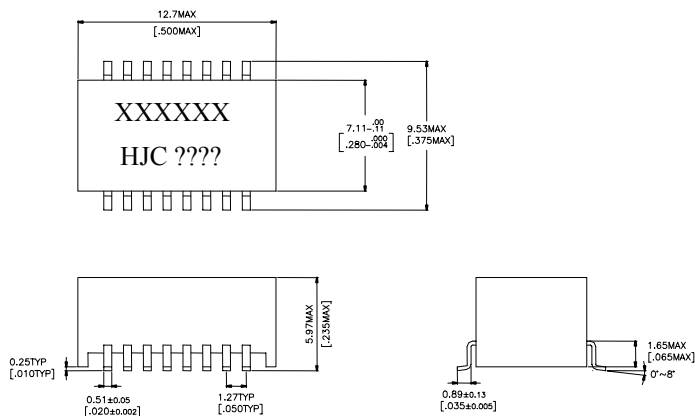


- ★ Designed to meet IEEE802.3u requirement
- ★ Designed to meet IR 235^oC peak requirement
- ★ Primary inductance 350 μ H min. with 8mA DC Bias
- ★ Small Package for LAN on Board Application

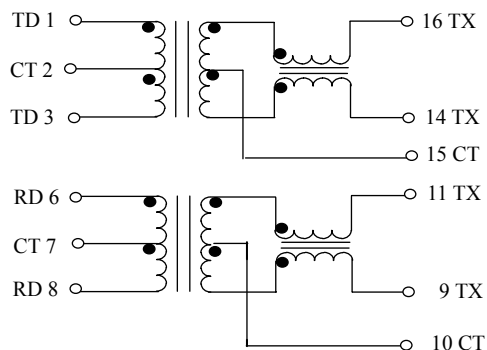


Specifications										
Part Number	Turn Ratio		Insertion Loss 0.1~100MHz (dB MAX)	Return Loss (MHz)			CMRR (dB)			Hi-Pot (Vrms MIN)
	Tx	Rx		30MHz	60MHz	100MHz	30MHz	50MHz	100MHz	
ATPL-046A	1:1	1:1	-1.1	-18db	-12dB	-10dB	-40db	-40dB	-40dB	1500

Dimension



Schematic



Data sheet subject to change without notice