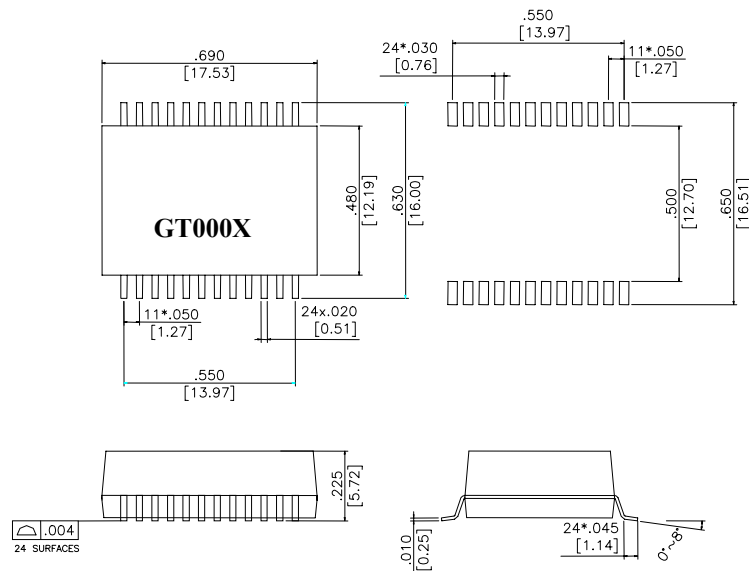


- ★ Designed to meet IEEE802.3ab requirement
- ★ Designed to meet IR 235<sup>o</sup>C peak requirement
- ★ Primary inductance 350μH min. with 8mA DC Bias
- ★ Single Port for NIC Application

| Specifications |            |  |                      |         |         |          |        |              |       |        |                         |
|----------------|------------|--|----------------------|---------|---------|----------|--------|--------------|-------|--------|-------------------------|
| Part Number    | Turn Ratio | Insertion Loss<br>1~100MHz<br>(dB MAX) | Return Loss<br>(MHz) |         |         |          |        | DMCM<br>(dB) |       |        | Hi-Pot<br>(Vrms<br>MIN) |
|                |            |  | 1-30MHz              | 40MHz   | 50MHz   | 60-80MHz | 100MHz | 30MHz        | 60MHz | 100MHz |                         |
| ATPL-107       | 1CT:1CT    | -1.0                                   | -16dB                | -14.4dB | -13.1dB | -12dB    | -10dB  | -43db        | -37dB | -33dB  | 1500                    |
|                |            |  |                      |         |         |          |        |              |       |        |                         |
|                |            |  |                      |         |         |          |        |              |       |        |                         |
|                |            |  |                      |         |         |          |        |              |       |        |                         |
|                |            |  |                      |         |         |          |        |              |       |        |                         |
|                |            |  |                      |         |         |          |        |              |       |        |                         |

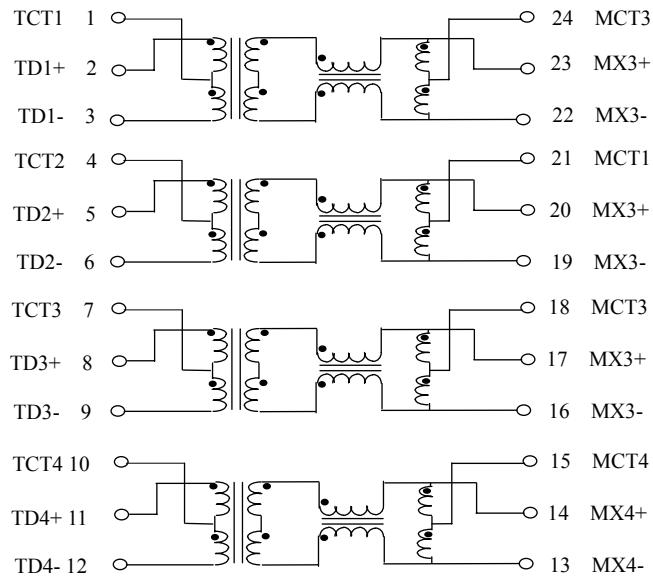
**Mechanical**



Data sheet subject to change without notice

## Schematics

### ATPL-107



Data sheet subject to change without notice