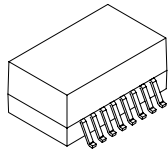


10/100 Small Package Transformer Modules

★ Designed to meet IEEE802.3u requirement



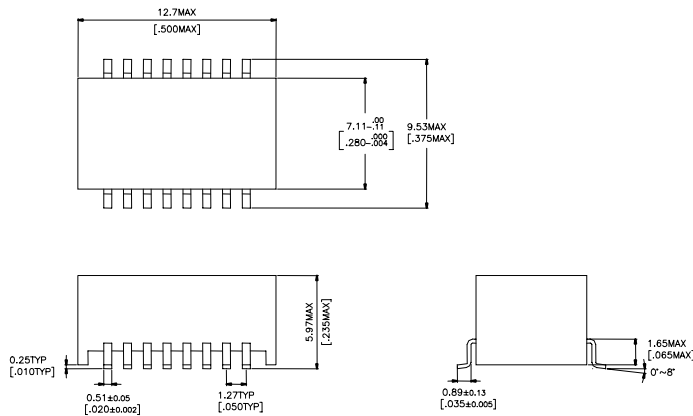
★ Designed to meet IR 235°C peak requirement

★ Primary inductance 350μH min. with 8mA DC Bias

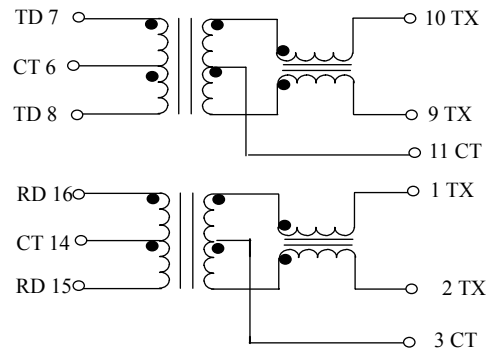
★ Small Package for LAN on Board Application

Specifications										
Part Number	Turn Ratio		Insertion Loss 0.1~100MHz (dB MAX)	Return Loss (MHz)			CMRR (dB)			Hi-Pot (Vrms MIN)
	Tx	Rx		30MHz	60MHz	80MHz	30MHz	50MHz	100MHz	
HS9007	1:1	1:1	1.1	-20db	-14dB	-11.5dB	-42db	-37dB	-33dB	1500

Dimension



Schematic



Data sheet subject to change without notice